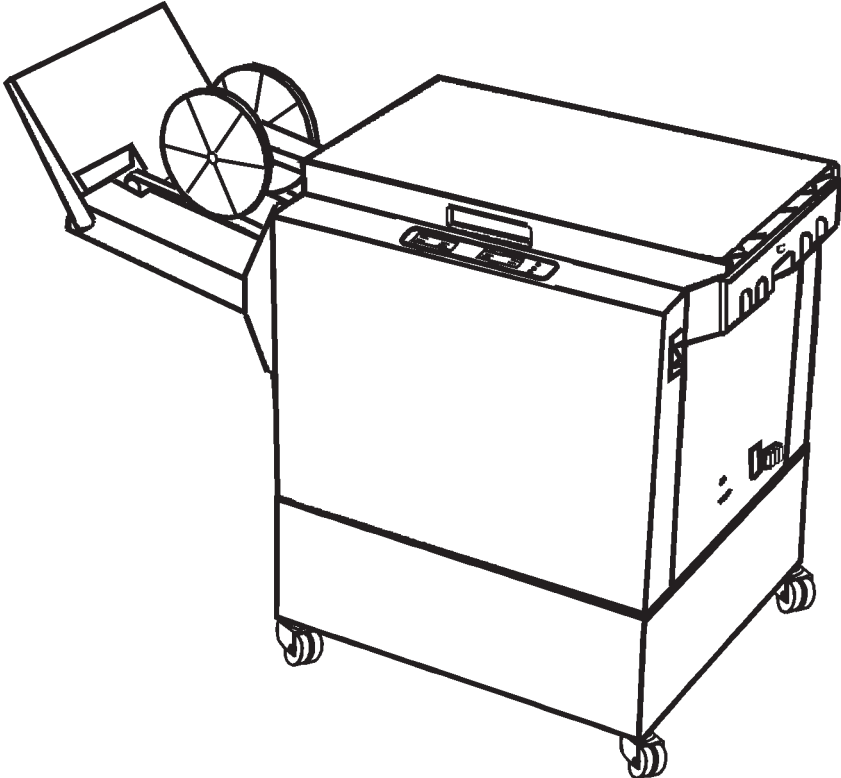
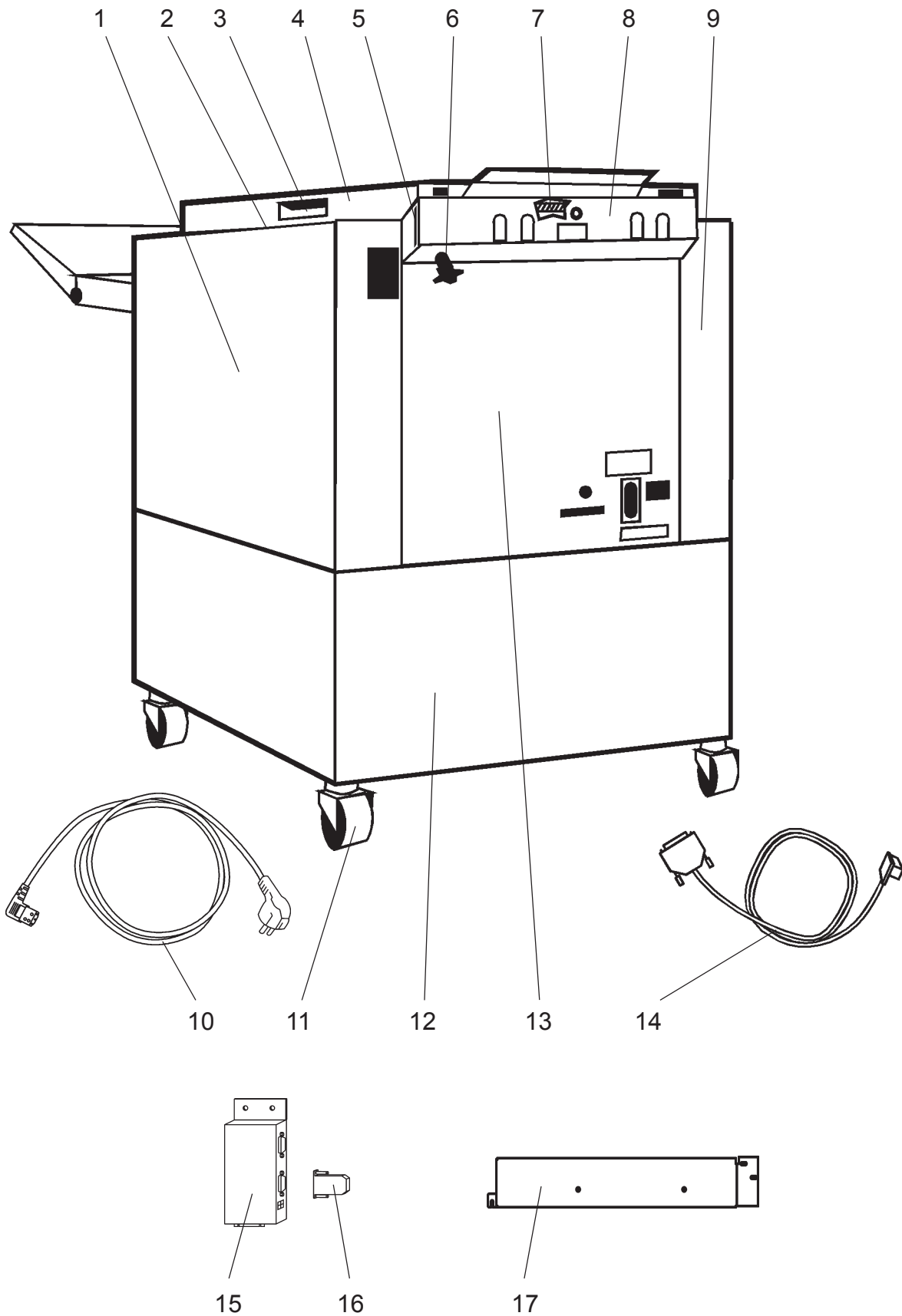


Stapler Folder Model 82 Spare Parts List



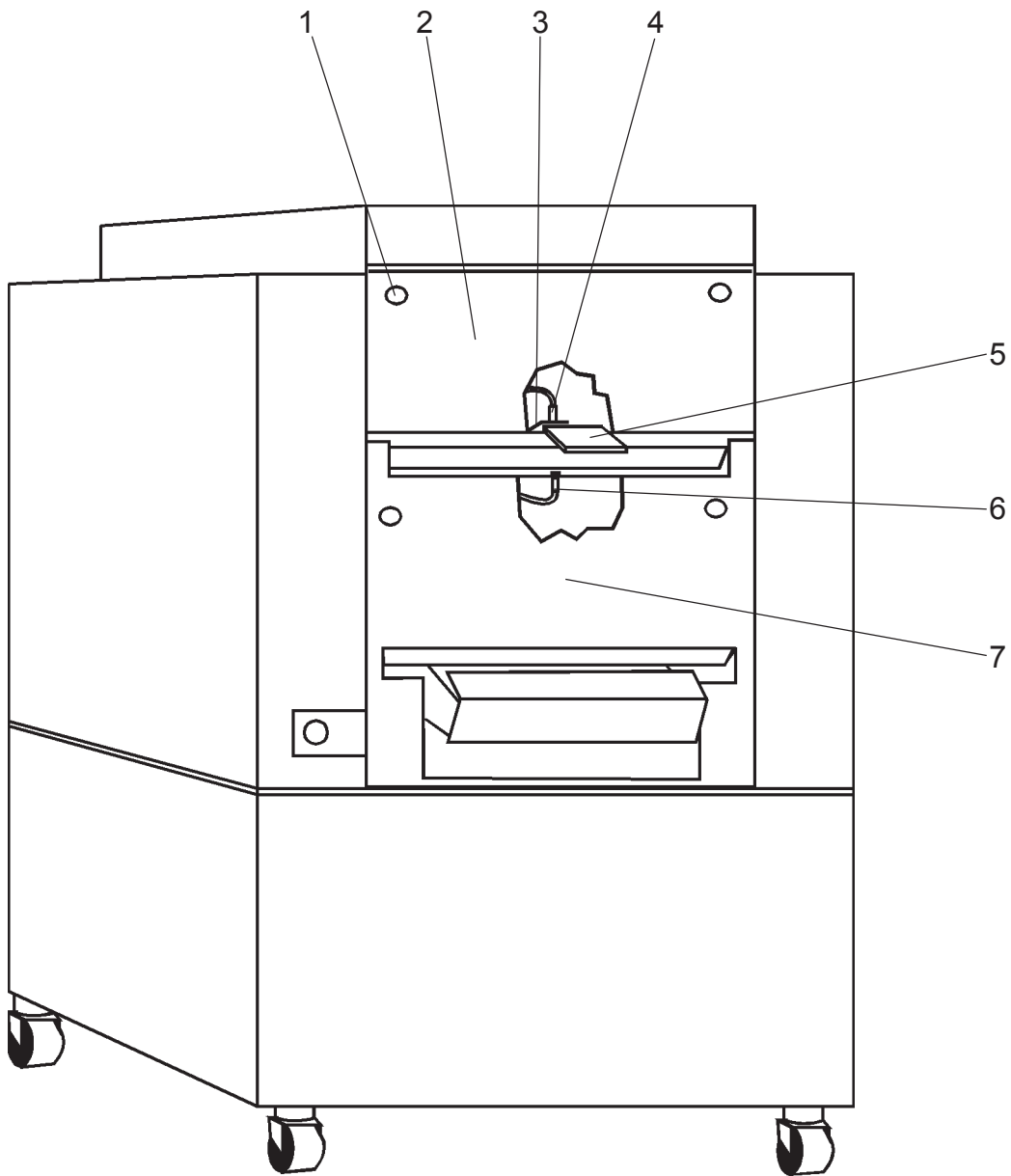
TITLE	PAGE	REVISION
Outer view, Infeed	1.1	Oct -04
Outer view, Outfeed	1.3	Jan -03
Front view (cover removed)	1.5	Jan -03
Rear view (cover removed)	1.7	Jan -03
Infeed view (cover removed)	1.9	Jan -03
Infeed module assembly	1.1	Jan -03
Fold area	1.15	Jan -03
Stapler	1.17	Jan -03
Clinchers	1.19	Jan -03
Belt stacker	1.21	Jan -03



Outer view, Infeed

T07067

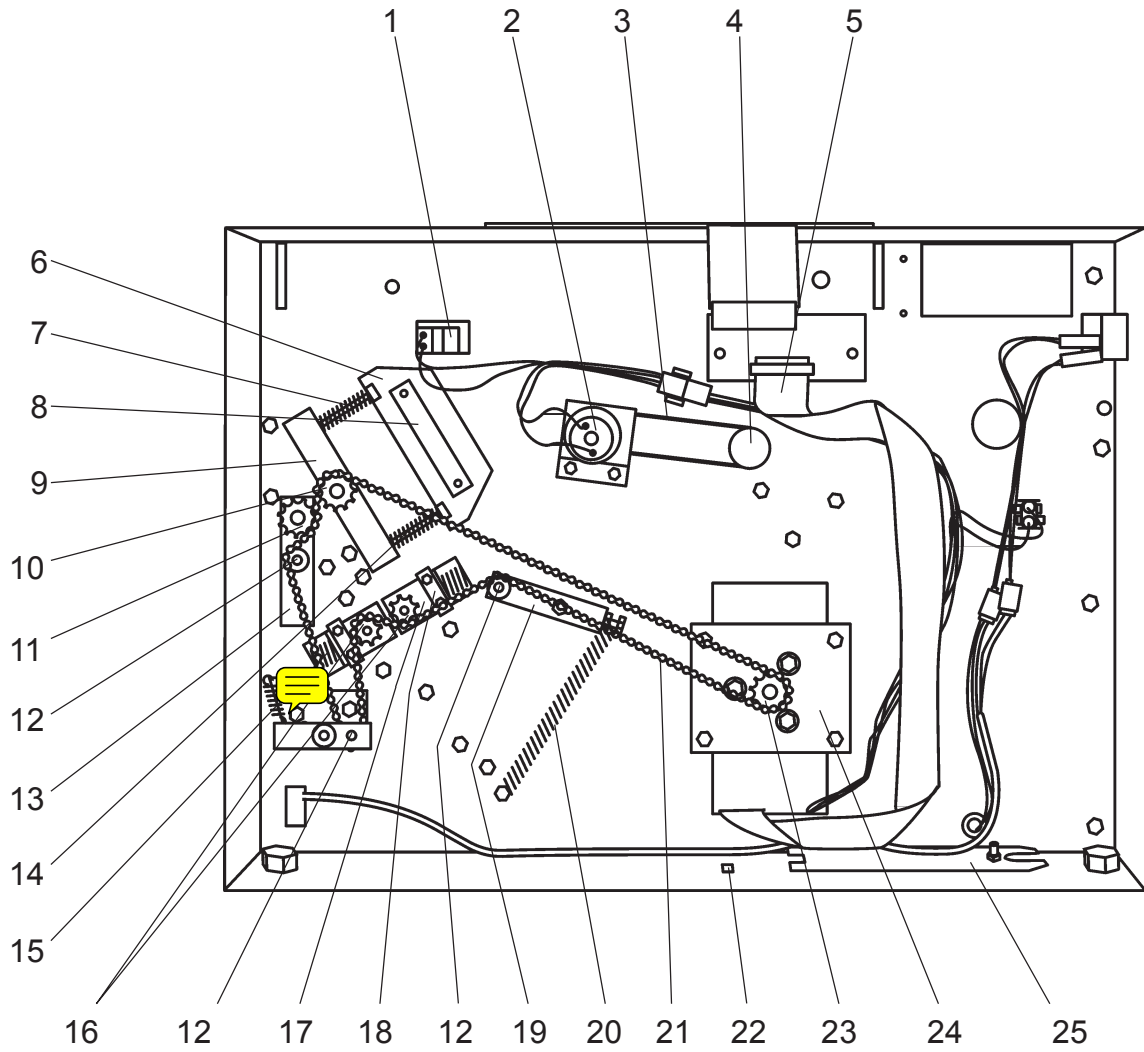
Item	Part no.	Qty.	Description	Note
1	751045	1	Front cover assembly	
2	761116	1	Control panel assembly	
3	75539	1	Handle	Black plastic
4	760121	1	Top cover assembly	Incl. 75539
	751035	1	Gas spring	
	75154	2	Bushing, hinge	
5	61007	1	Label, green strip	
6	40711	1	Knob	
7	90169	1	Spring	
8	760189	1	Inner & outer docking plate assy.	A4/A3 Machines
	760190	1	Inner & outer docking plate assy.	8.5x11"/11x17" Machines
9	751046	1	Rear cover assembly	
10	75275	1	Power Cord	230V Machines
	75369	1	Power cord	115V Machines
11	88465	4	Castor	
12	750002	1	Base	Incl. 88465
13	76018	1	Infeed cover	
14	760009	1	Connection cable	Model 82 to Model 300+
	760013	1	Connection cable	Model 82 to Can box
	140224	1	Connection cable	Can box to Model 100
	140239	1	Connection cable	Can box to Model 1000
15	900234	1	Can box	Model 82 to Model 100/1000/101/ 101HCS/1010
15	960203B	1	Circuit board	
16	140227	1	Terminator plug	
17	15418	1	Docking plate	Model 82 to Model 101/101HCS/ 1010
	760012	1	Installation kit, complete	Model 82 to Model 300+. Incl. connection cable 760009
	760011	1	Installation kit, complete	Model 82 to Model 100. Incl. connection cables 760013 and 140224 and items 15 & 16
	760014	1	Installation kit, complete	Model 82 to Model 1000. Incl. connection cables 760013 and 140239 and items 15 & 16.



Outer view, Outfeed

T07067

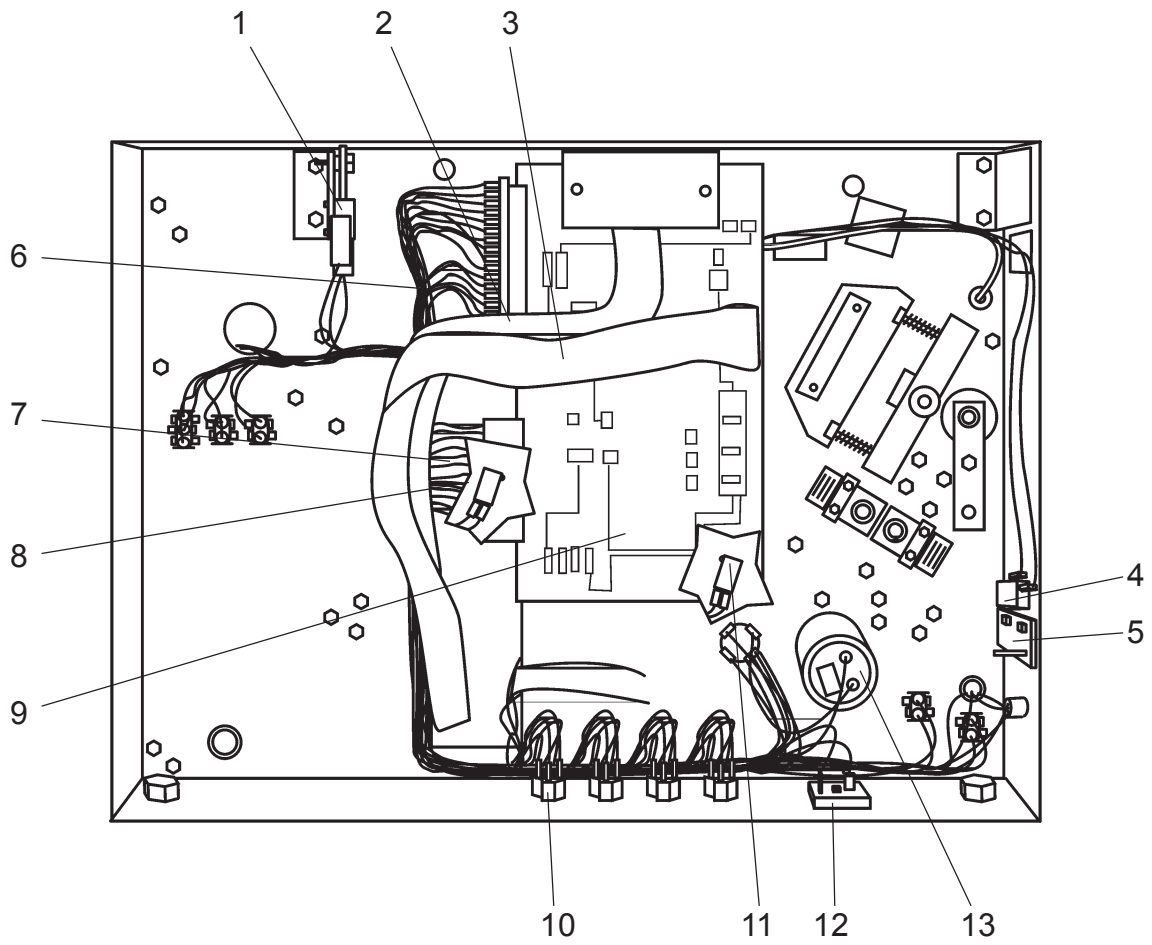
Item	Part no.	Qty.	Description	Note
1	88313	4	Bracket for stacker	
	22570	4	Plastic cap	
2	75003	1	Upper outfeed cover	
3	75120	1	Bracket, phototransistor	
4	881009	1	Phototransistor assembly	Q4
5	75153	1	Outfeed paper deflector	
	75316	1	Outfeed paper deflector for trimmer	
	89714	1	Plastic guide	
6	881008	1	LED assembly	
7	75633	1	Lower outfeed cover	



Front view (cover removed)

T07067

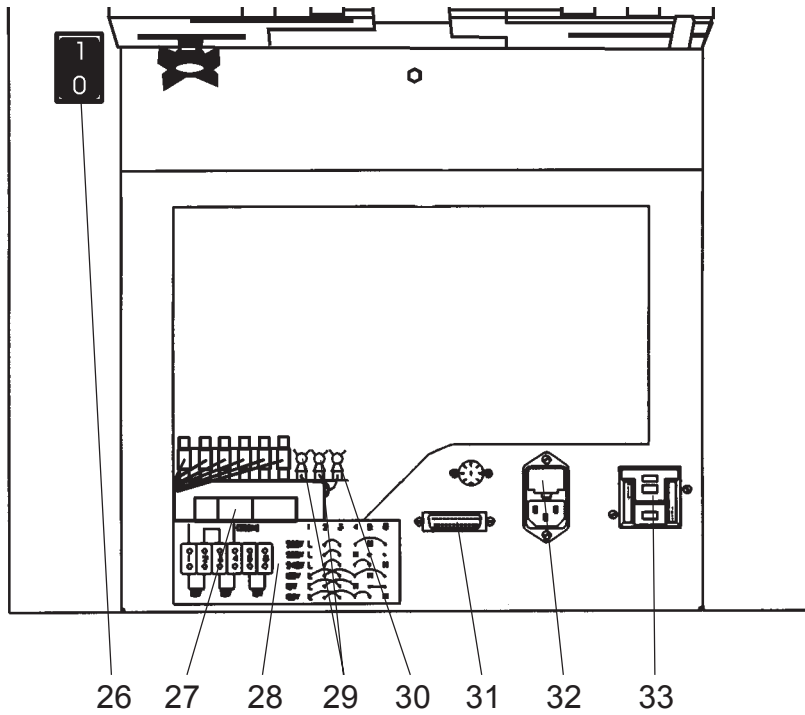
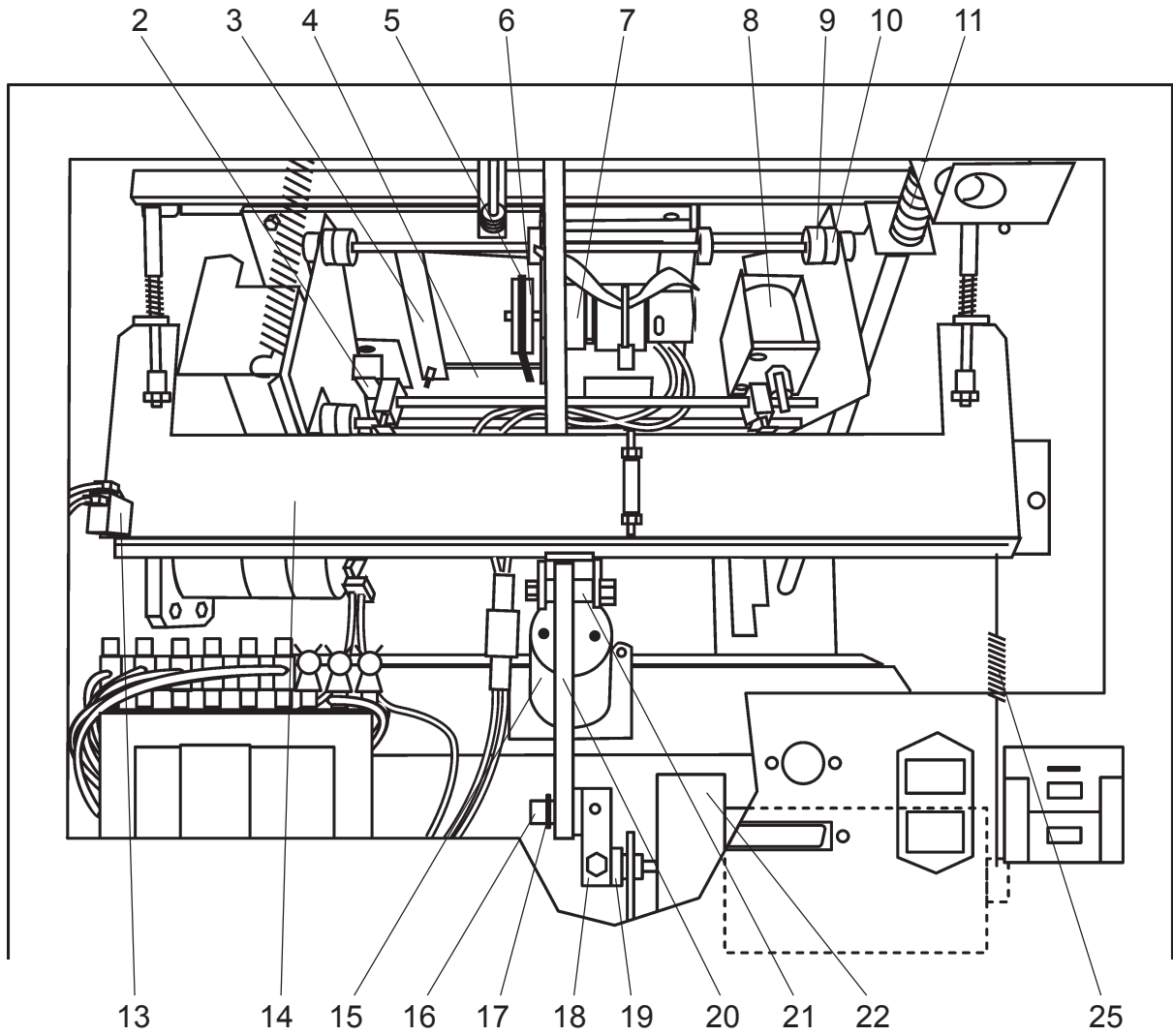
Item	Part no.	Qty.	Description	Note
1	88520	1	Set counter	
2	751053	1	Edge staple stop motor assy.	M10
3	75341	1	O-ring	
4	75553	2	Pulley	
5	751075	1	Front panel extension assy	
6	60623	2	Spring bracket	
7	60751	2	Spring	
8	60742	2	Nut plate	
9	603012	2	Spring loaded bearing block	Same part # front & rear Incl.60627
	60627	2	Needle bearing	
10	10543	1	Sprocket	
	75149	2	Bearing, plastic	Same part # front & rear
11	10543	1	Sprocket	
	60627	2	Needle bearing	Same part # front & rear
12	761002	1	Idler roller assy	Assy contains parts for all 3 locations
13	761004	2	Bearing block assy	Incl. bearings. Same part # front & rear
14	75301	2	Spring	
15	75485	4	Spring	
16	88826	2	Sprocket	
	60508	4	Flange bushing	
17	761005	4	Springloaded bearing block assy	Same part # front & rear
18	75496	4	Guide, fold roller	Plastic
19	75499	1	Chain tensioner	
20	60753	1	Spring	
21	75551	1	Chain	
22	75278	1	Stapler head alignment tool	
23	80609	1	Sprocket	
24	87271	1	Fold roller motor	M8
25	87017	1	Castor wrench	



Rear view (cover removed)

T07067

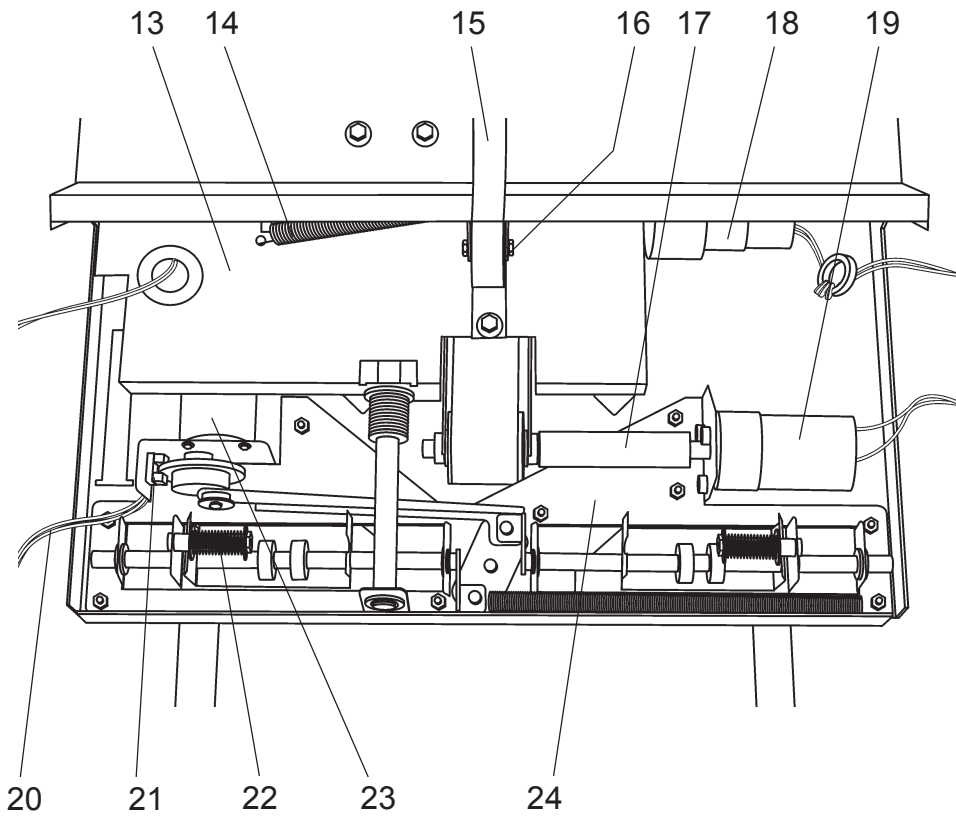
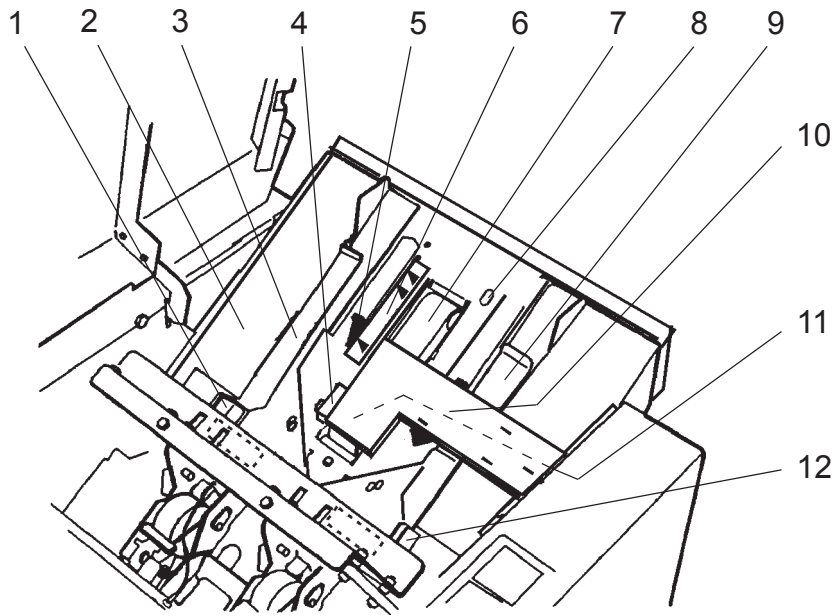
Item	Part no.	Qty.	Description	Note
1	80652	1	Interlock switch	SW5
	75154	2	Bushing, hinge	
2	751075	1	Front panel extension assembly	
3	750203	1	Communication extension assy.	Incl. Interface receptacle
4	80652	1	Interlock bypass switch	SW6
5	75022	1	Interlock bypass switch actuator	
	75044	2	Bushing	
6	750243	1	Sensor wiring harness	
7	750244	1	Motor wiring harness	
8	87083	1	Length adjustment minimum switch	SW4
9	761021	1	Controller printed circuit board	
	761022	1	Processor	
	75190	4	Plastic pin, snap-in	19 mm.
10	88492	5	Ground connector	
11	87083	1	Length adjustment maximum switch	SW3
12	20711	1	Rectifier	REC1
	88519	1	Insulator	
13	750205	1	Capacitor assembly	C1



Infeed view (cover removed)

T07067

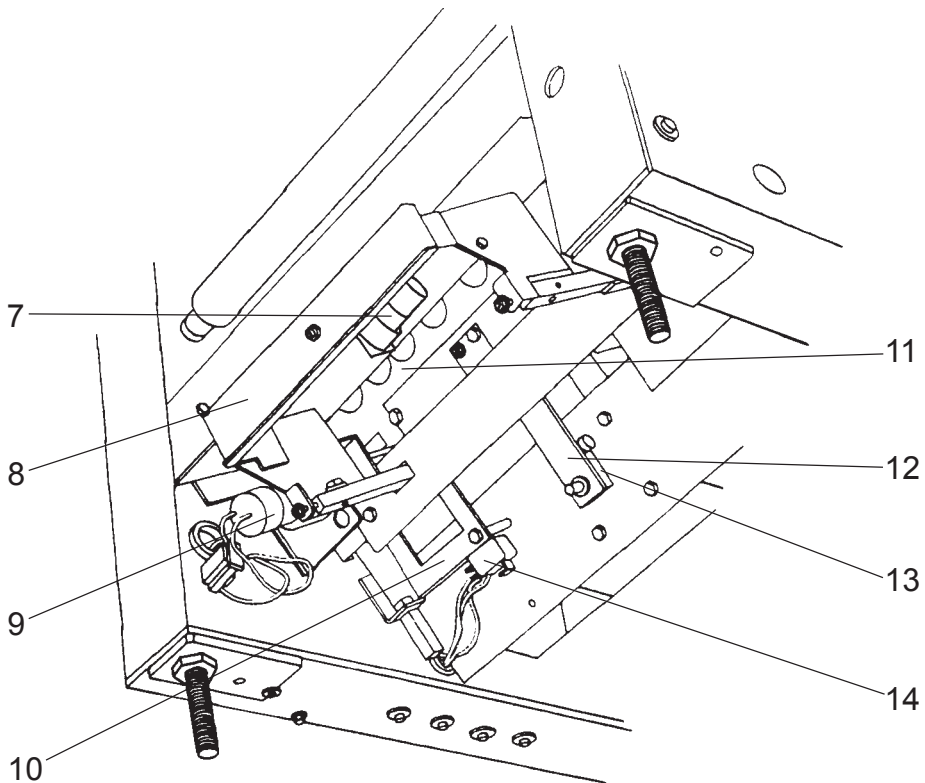
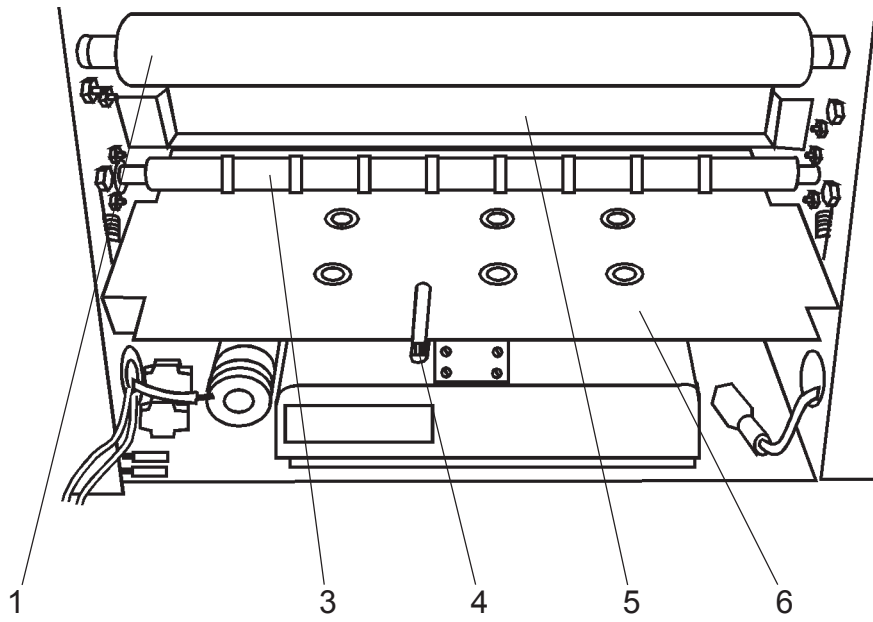
Item	Part no.	Qty.	Description	Note
2	751014	1	Stop gate release solenoid	SOL2
3	75480	2	Stay, staple stop gate	
4	761003	1	Staple stop gate	
5	75341	1	O-Ring	
6	80744	1	Pulley	
7	750241	1	Stapled set transport motor assy.	M4. Incl. Item 6
8	751017	1	Stop gate solenoid assy.	SOL1
9	60852	4	Collar	
10	90146	2	Flange bushing	
11	75143	1	Threaded rod	
13	87083	1	Stapler home position switch	SW1
14	75209	1	Lower stapler bracket	
15	750179	1	Fold knife motor	M2
16	60507	1	Crank journal	
17	60510	1	Retaining ring	
18	75164	1	Crank elbow	
19	90146	1	Flange bushing	
20	60505	1	Rod	
21	60894	1	Bushing	
22	750179	1	Stapler motor assembly	M1
25	761006	1	Spring, motor brake assy.	
26	60976	1	Main power switch	SW7
27	75482	1	Transformer	T1
28	75233	1	Jumper diagram label	
29	60519	2	10 VAC Fuse, T500mA	F2, F3
30	88557	1	26 VAC Fuse, T6.3A	F4
31	750203	1	Interface receptacle	J1 Incl. Ribbon cable
32	90611	1	Power receptacle	
	60651	1	Main power fuse, T3.15A	F1, 230 V Machines
	88557	1	Main power fuse, T6.3A	F1, 115 V Machines
33	88957	1	Ground fault interrupter	GFI
	750209	1	Wiring harness, GFI	



Infeed module assembly

T07067

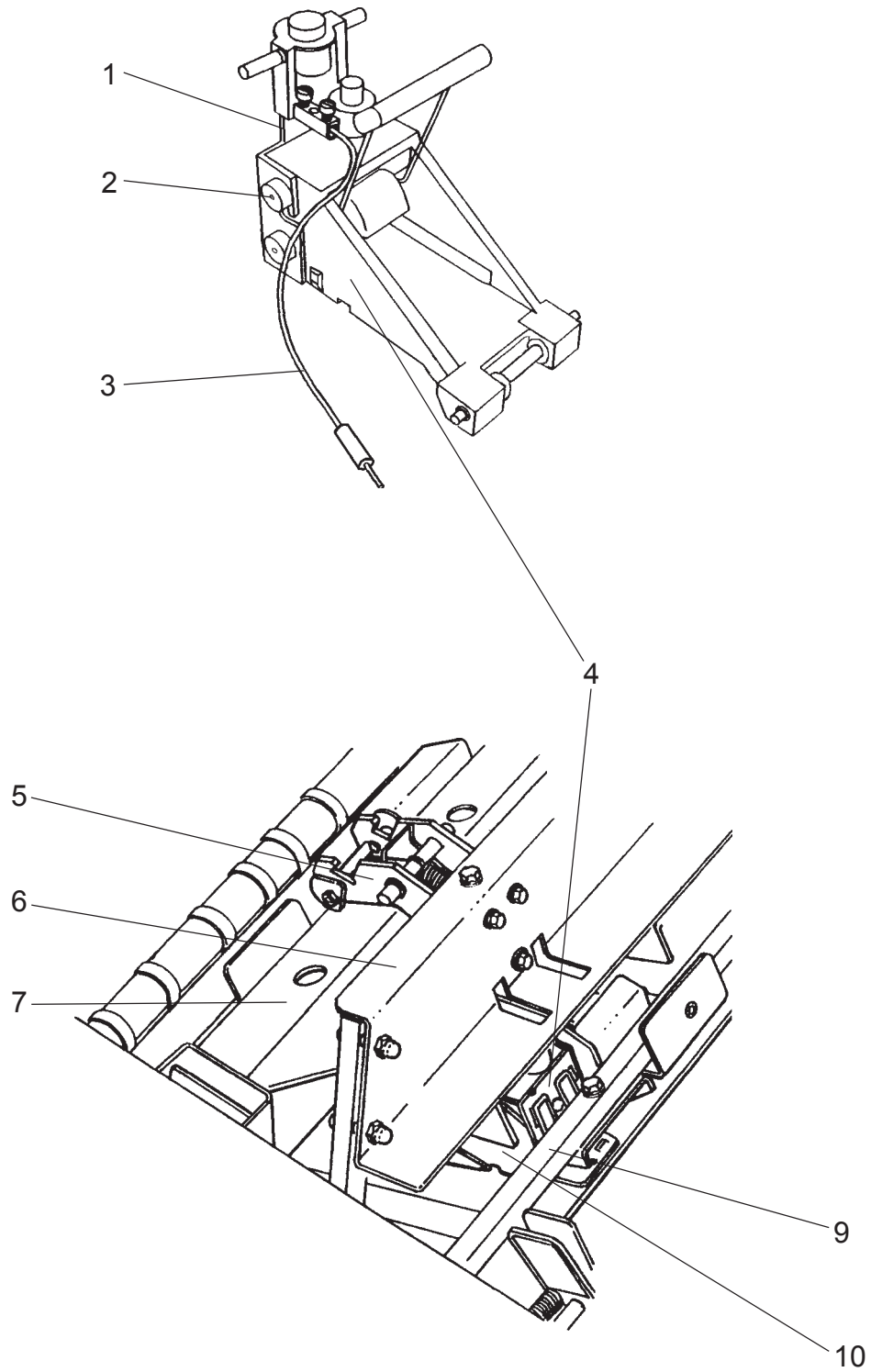
Item	Part no.	Qty.	Description	Note
1	75031	1	Lock, rear side guide	
2	75569	1	Infeed module frame	
3	75948	1	Rear Side guide assembly	
4	75161	1	Edge stapling transport arm	
	75162	1	Edge stapling transport roller	
5	75501	1	Back jogger	
6	75704	1	Scale	All formats
7	750171	1	Infeed Transport belt assembly	Incl. 75089, 75066, 75064
	75089	1	Infeed trasport belt	
	75066	1	Drive roller	
	75064	1	Roller	
8	75512	1	Infeed sensor assembly	Q5
	750247	1	Infeed sensor wiring harness	
	75497	1	Sensor bracket	
9	75949	1	Front Side guide assembly	
10	750157	1	Pressure arm assembly	Incl. 75346, 751050, Item 3, 10
	75346	1	Pressure arm	
	751050	1	Upper pressure roller assembly	
11	751025	1	Edge stapling transp. motor assy.	M11
	750262	1	Edge stapling transp. motor, wiring harness	
12	75032	1	Lock, front side guide	
13	75577	1	Back jogger housing	
14	75246	1	Spring	
15	751074	1	Length adjustment strap	
16	750118	1	Roller	
17	75541	1	Drive coupling	
18	750242	1	Back jogger motor assembly	M7
19	150214	1	Infeed transport belt motor	M9 Incl. Bracket
20	750245	1	Wiring harness, Q6 & M3	
21	45188	1	Slotted optical switch	Q6
22	60751	2	Spring	
	75203	2	Sleeve	8 x 34 mm.
23	761001	1	Motor, side jogger	M3
24	761007	1	Drive assy., side joggers	Complete



Fold area

T07067

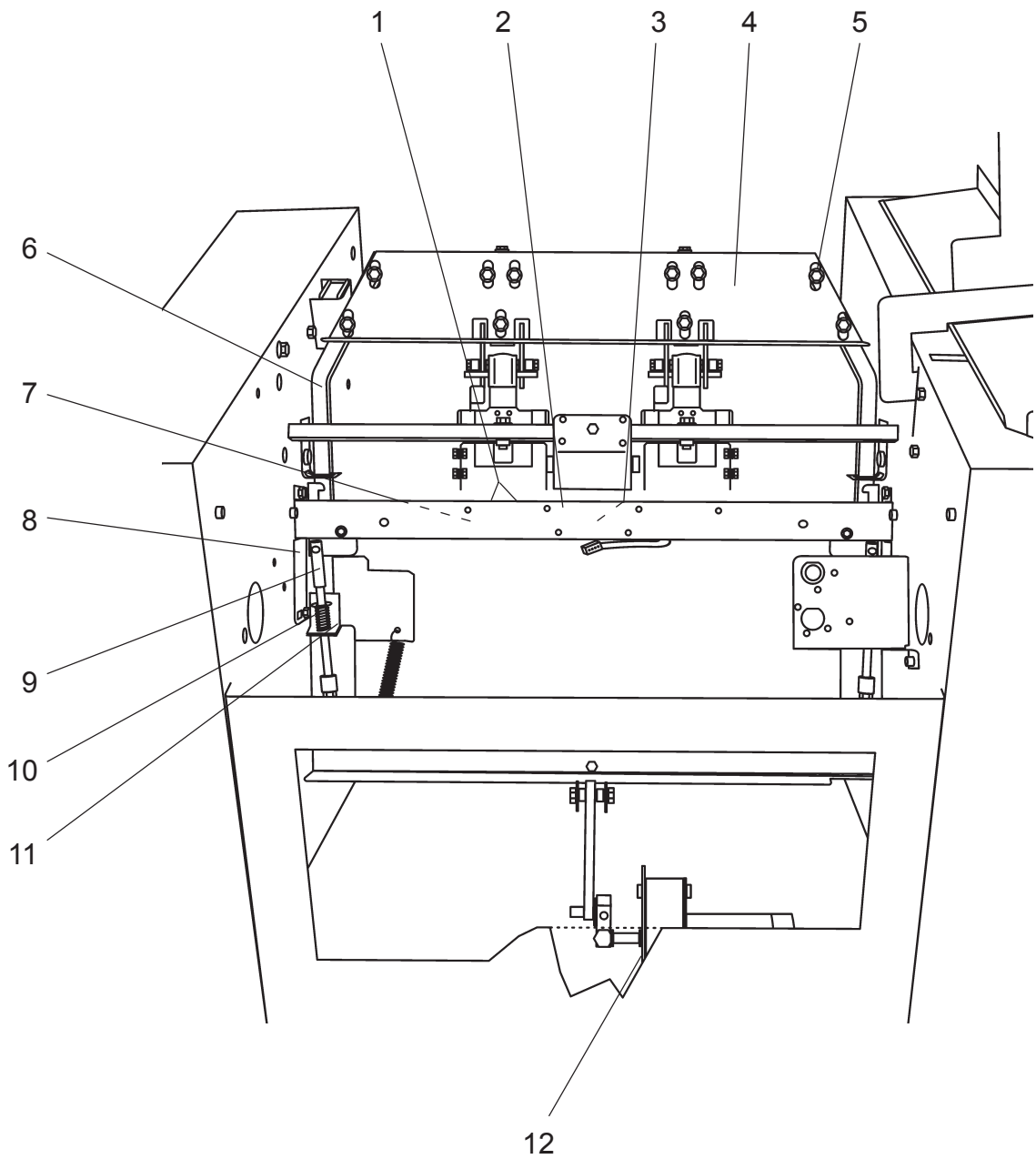
Item	Part no.	Qty.	Description	Note
1	600125	2	Upper folder roll	
3	761012	1	Lower folder rolls assy.	One pair
4	75512	1	Fold stop sensor assembly	Q2
	750263	1	Wiring harness, fold stop sensor	Q2
5	60740	2	Guide plate	
6	75546	1	Lower paper path	
7	760110	1	Fold stop gate motor assy, incl. wiring harness	M12
8	75640	1	Fold stop gate	
9	751036	1	Length adjustment motor	M6
10	75269	1	Fold knife plate	
11	75021	1	Fold knife blade	
12	60505	1	Rod	
13	60185	1	Crank elbow	
14	751038	1	Fold knife home position switch assy.	SW2



Stapler

T07067

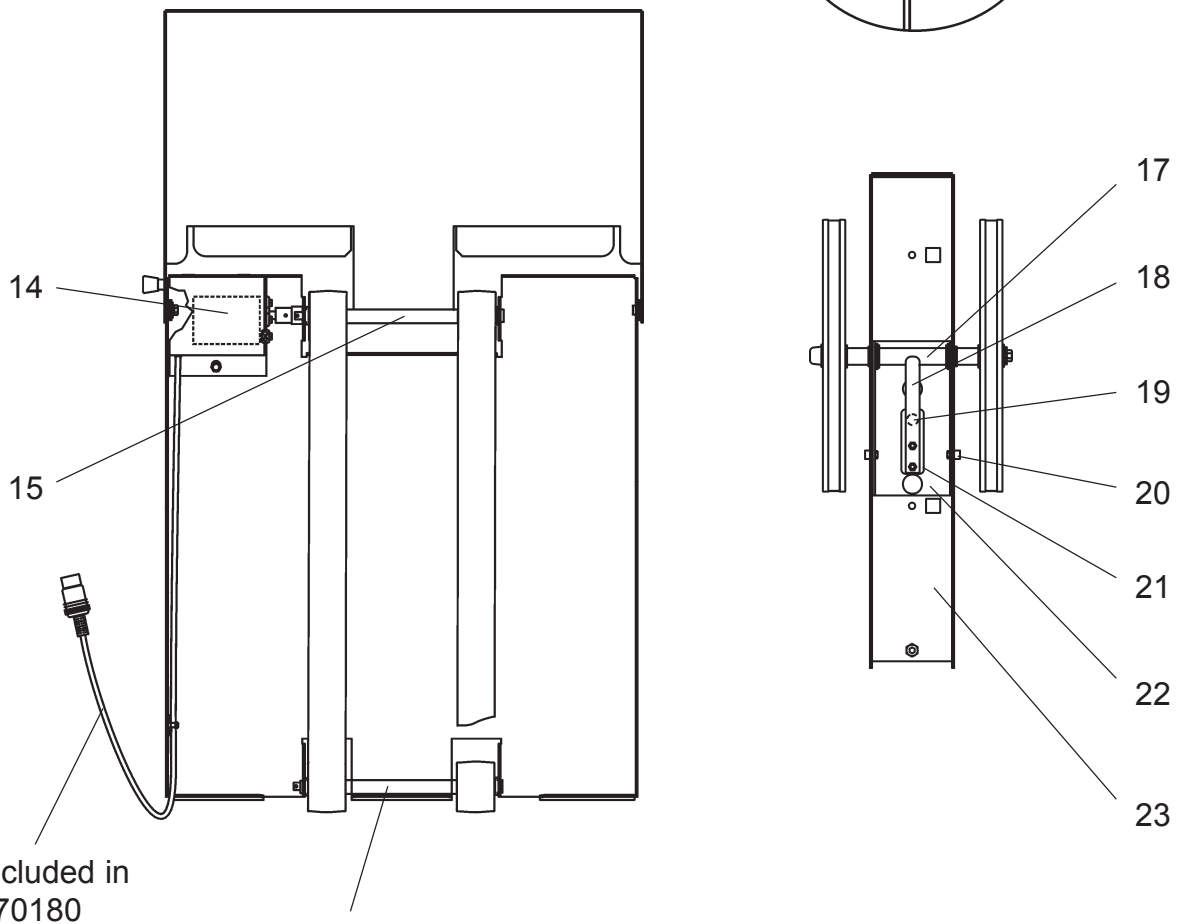
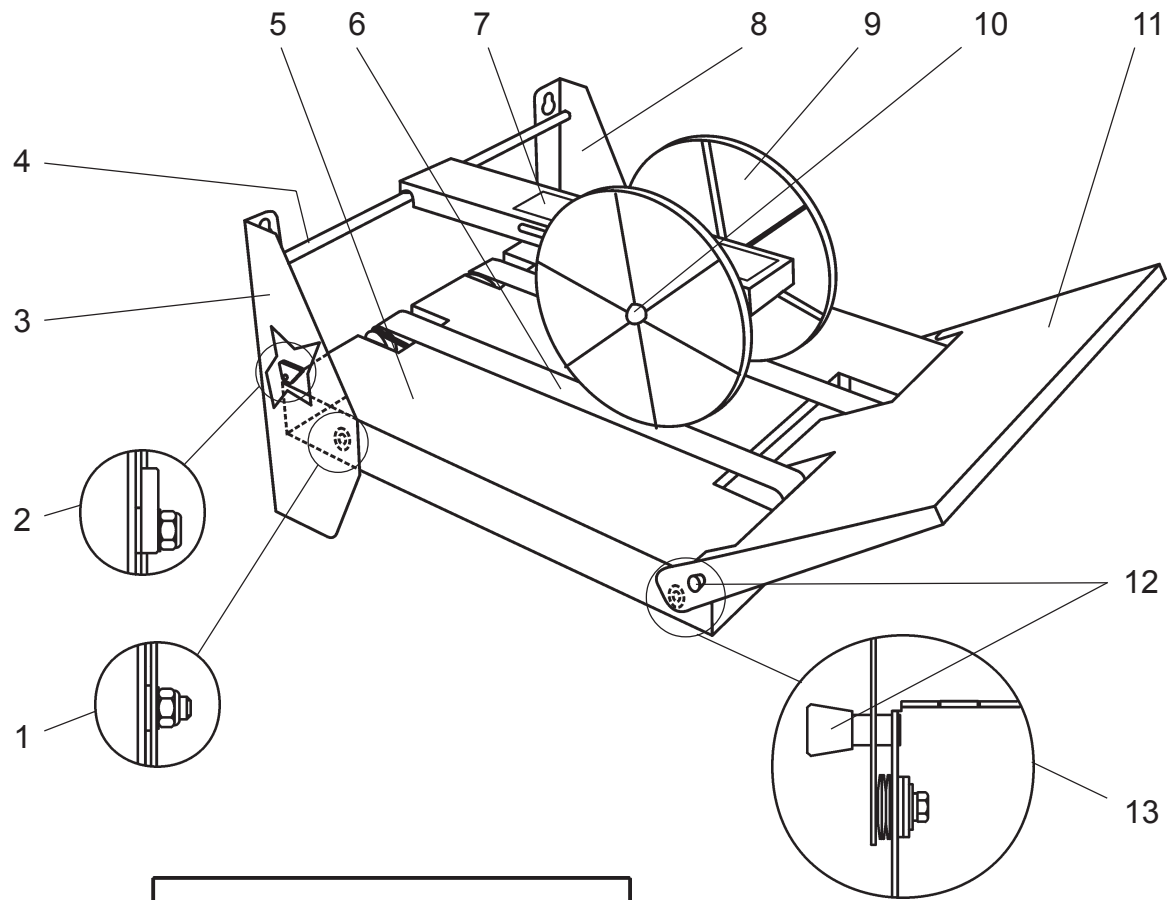
Item	Part no.	Qty.	Description	Note
1	751138	2	Driver	Will also fit in Model 75
2	88461	8	Insulator	
3	750183	2	Staple detection lead assembly	
4	751136	2	Stapler head assy.	Incl. item 1, 2, 3, pivot pin assy. & o-rings. Will also fit in Model 75
5	750147	2	Retraction swing arm assy.	Incl. 75243
	75243	2	Spring	
6	75940	1	Upper stapler bar	
7	75462	1	Stapler mounting bracket	
	751020	1	Saddle stapling sensor assy.	Q1
	87006	2	Tire, drive rollers	
9	75213	1	Stapler mounting bar	
10	751055	1	Stapler bracket, front side	
	751056	1	Stapler bracket, rear side	



Clinchers

T07067

Item	Part no.	Qty.	Description	Note
1	88805	4	Clincher points	Always replace by pair
2	761018	1	Clincher bar assy.	Complete. Incl items 1, 7 & 9-11
3	75104	1	Edge stapling sensor	Q3
4	75940	1	Upper stapler bar	
5	45183	4	Spacer	
6	75941	2	Stapler push rod	
7	75931	2	Clincher plate	
8	75932	2	Clincher bar support bracket	
9	761017	2	Clincher arm assy	Incl. item 10 & 11
10	75947	2	Spring	
11	75929	2	Clincher guide bracket	
12	75930	1	Stapler motor bracket	



Belt Stacker

T07067

Item	Part No.	Qty.	Description	Note
	870181	1	Belt stacker assembly (Fits all Model 88 & 102)	Excluding Scale
1	89629	2	Cup spring	
	97063	2	Washer	Nylon
2	75534	2	Stacker angle adjustment	
	60835	2	Washer	
	97063	2	Washer	Nylon
3	75518	1	Mounting bracket,	
4	75532	1	Shaft	
5	75524	1	Stacker frame	
6	75557	2	Conveyor stacker belt	
7	87255	1	Lable, stacker	A4/A3/8.5x11"/11x17"
8	75519	1	Mounting bracket,	
9	87317	2	Pressure wheel	
	97009	2	Washer	
10	22570	2	Plastic cap	Incl. nylon washer
11	75527	1	End plate	
12	75474	1	End plate locking device	
13	97111	4	Washer 8.4x16x1.5 mm	
	97052	2	Washer 5.3x12x1 mm	
	55520	6	Cup spring 16x8.2x0.6 mm	
14	870180	1	Stacker motor assy.	M5 Incl. 90080, 55529 & cable
	90080	1	Drive shaft coupling	
	55529	1	Pin	
15	56436	2	Roller	
	75523	1	Shaft	
	22854	2	Bushing	
	55529	1	Pin	
16	56436	2	Roller	
	75523	1	Shaft	
	22854	2	Bushing	
17	75522	1	Shaft	
	80557	4	Retaining ring	
	13075	2	Bushing	
	97112	2	Washer	
18	75116	1	Sliding contact	
19	88248	1	Ball	
20	40514	2	Bushing	Plastic
21	75099	1	Leaf spring, ball	
	97025	4	Washer	
22	75520	1	Bracket, output wheel	
23	75525	1	Pressure arm	