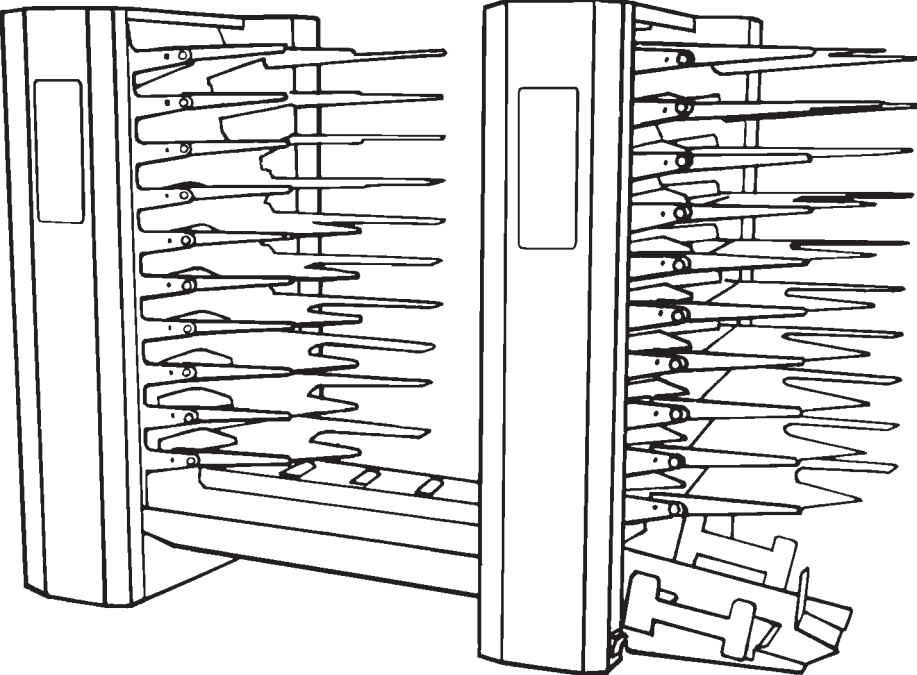


# Collator Serie 300/400, 310B

## Spare Parts Manual



December 2002

Part No. 90874



---

This Spare part list is divided into three different sections:

- **Series 300/400**      The Series 300/400 section (section 1) contains both common parts for 300/400,310B and parts only existing in the Series 300/400.
- **310 B**              The unique 310 B parts are shown in section 2.
- **Paper feeder**      The Paper feeder parts are shown in section 3.

Parts that are depending on the maximum paper size or the number of stations of the Collator, are indicated by one or two of the following remarks in the "**Note**"- column:

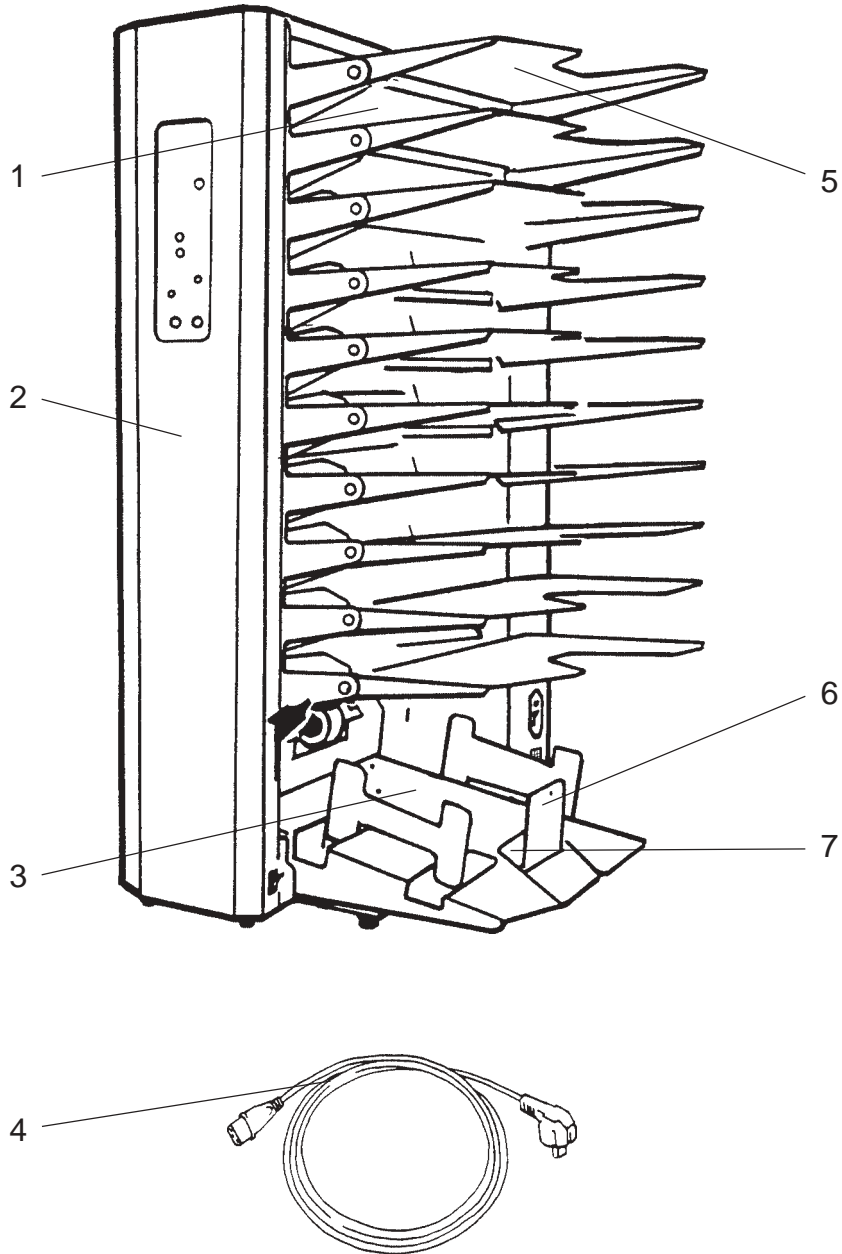
- A4, 8.5" x11"
- A3, 11" x17", B4
- 6 Stn
- 10 Stn

"Stn" is short for "Stations".

The quantity indicated in the "**Qty**"-column is the quantity of this part in the area displayed.



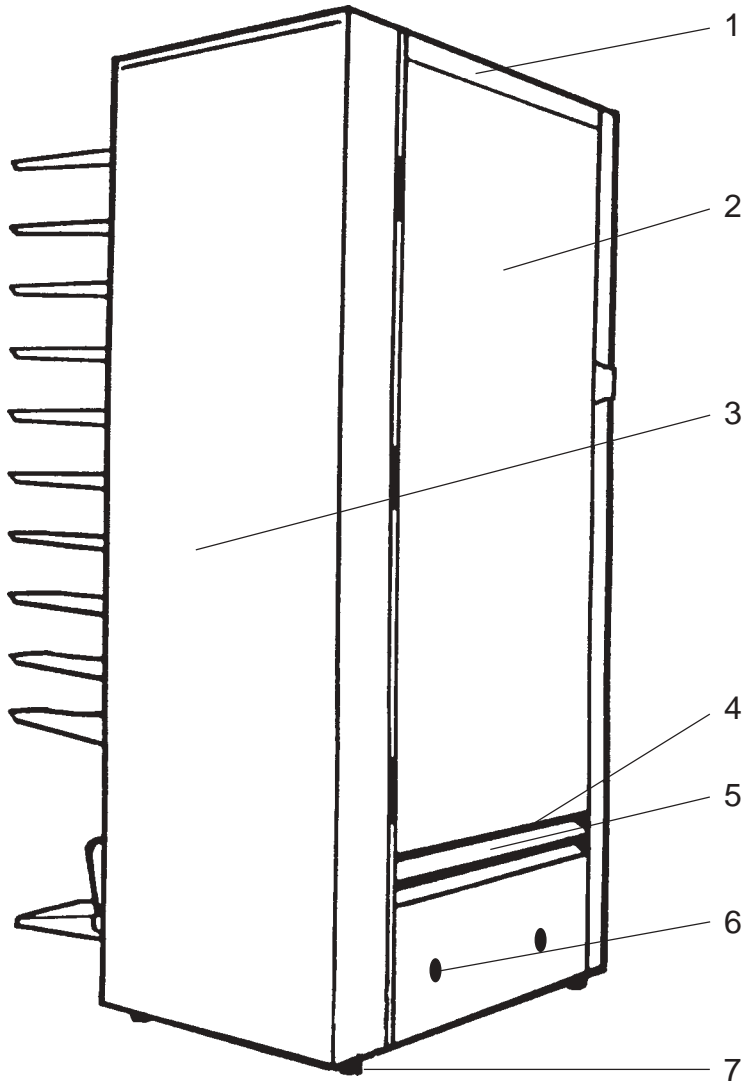
<b>TITLE</b>	<b>PAGE</b>	<b>REV.</b>
<b>SECTION 1: SERIES 300/400, COMMON PARTS:</b>		
Front view	1.2	August 1997
Rear view	1.4	August 1997
Feed roller assembly	1.6	August 1997
Conveyor assembly	1.8	August 1997
Vertical transport area	1.10	August 1997
Lower front view	1.12	August 1997
Stacker	1.14	September 2002
Stacker motor	1.16	August 1997
Transmission	1.18	August 1997
Electrical components, rear view	1.20	August 1997
PCB and Front panel	1.22	September 2002
<b>SECTION 2: MODEL 310 B PARTS:</b>		
Horizontal Transport assembly, 310 B	2.2	August 1997
Lower Front view, 310 B	2.4	August 1997
Transmission, 310 B	2.6	August 1997
Electrical components, 310 B	2.8	August 1997
<b>SECTION 3: PAPER FEEDER PARTS:</b>		
<b>Model 900011</b>		
Outer view	3.2	August 1997
<b>Common Parts 900014 / 900026</b>		
Upper part inner view	3.4	March 2001
Middle part inner view	3.6	March 2001
<b>Model 900014 Parts</b>		
Lower part	3.8	February 2002
<b>Model 900026 Parts</b>		
Middle part	3.10	March 2001
Lower part inner view	3.12	March 2001



## Front view

T07057

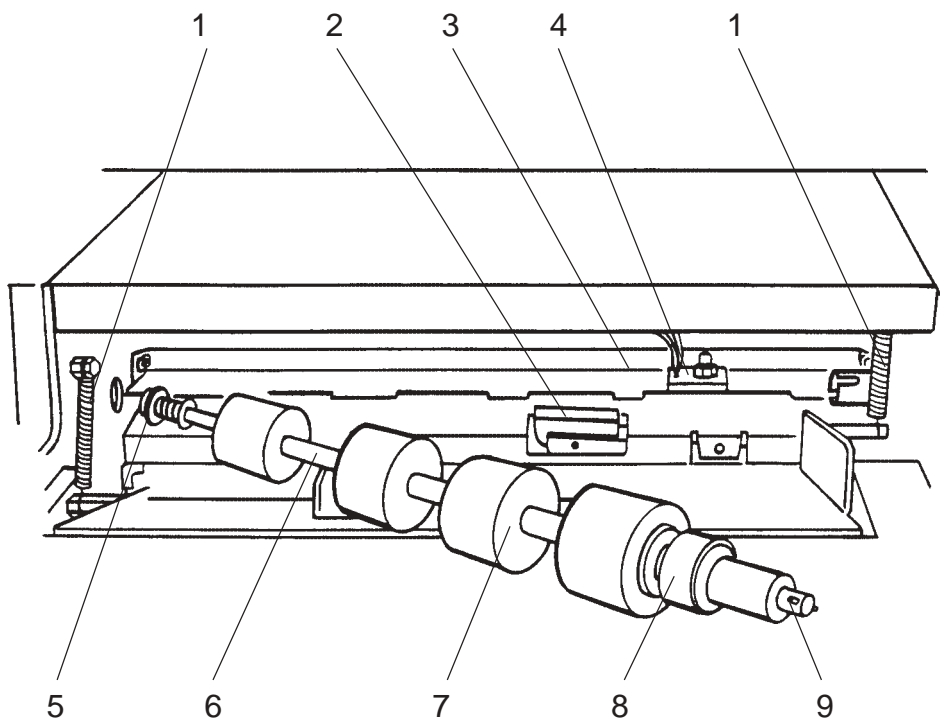
Item	Part no.	Qty.	Description	Note
1	900105	6/10	Paper bin assembly	A3 , 11"x 17" , B4
	900104	6/10	Paper bin assembly	A4 , 8.5"x 11"
2	90104	1	Cover, front	10 stn
	90105	1	Cover, front	6 stn
3	90013	1	Stacker plate	A3 , 11"x 17" , B4
	90014	1	Stacker plate	A4 , 8.5"x 11"
4	87156	1	Power cord	Europe
	88530	1	Power cord	UK/Hong Kong
	80175	1	Power cord	US/Japan
	60122	1	Power cord	Australia/China
5	90216	6/10	Bin extension plate	A3 , 11"x17" , B4 Before S/N XXX 071 001
	90577	6/10	Bin extension plate	A3 , 11"x17" , B4 From S/N 94 111 011 From S/N 310 111 055
	90024	6/10	Bin extension plate	A4 , 8.5"x 11"
6	901046	1	Adjustment plate assembly	A3 , 11"x17" , B4
	901045	1	Adjustment plate assembly	A4 , 8.5"x 11"
7	90410	1	Scale	A4, 14"
	90411	1	Scale	A3, 17" , B4



## Rear view

T07057

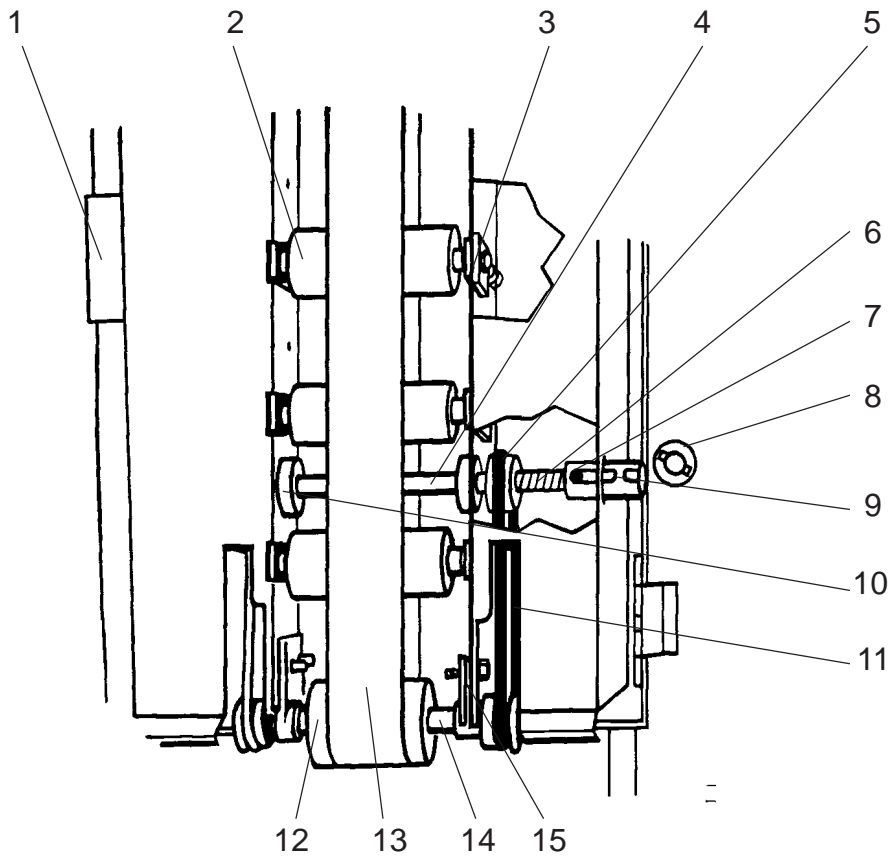
Item	Part no.	Qty.	Description	Note
1	90040	1	Top cover A3	
	90041	1	Top cover A4	
2	90009	1	Cover, belt transport 10 stn	A4, , 8.5"x 11"
	90010	1	Cover, belt transport 6 stn	A4, , 8.5"x 11"
	90011	1	Cover, belt transport 10 stn	A3, 11"x 17", B4
	90012	1	Cover, belt transport 6 stn	A3, 11"x 17", B4
3	901005	1	Rear cover assembly 6stn	
	901006	1	Rear cover assembly 10 stn	
4	90049	1	Shunt plate	A3, 11"x 17", B4 Before S/N XXX 063 624
	90050	1	Shunt plate	A4, 8.5"x 11" Before S/N XXX 063 624
	90491	1	Shunt plate	A3, 11"x 17", B4 XXX 071 001 - 073 500
	90492	1	Shunt plate	A4, 8.5"x 11" XXX 071 001 - 073 500
	90661	1	Shunt plate	A3, 11"x 17", B4 From S/N XXX 081 001
	90660	1	Shunt plate	A4, 8.5"x 11" From S/N XXX 081 001
5	90569	1	Exit guide plate	A3, 11"x 17", B4 From S/N XXX 071 001
	90490	1	Exit guide plate	A4, 8.5"x 11" From S/N XXX 071 001
6	901043	2	Docking bracket assembly	
7	60761	5	Stud	



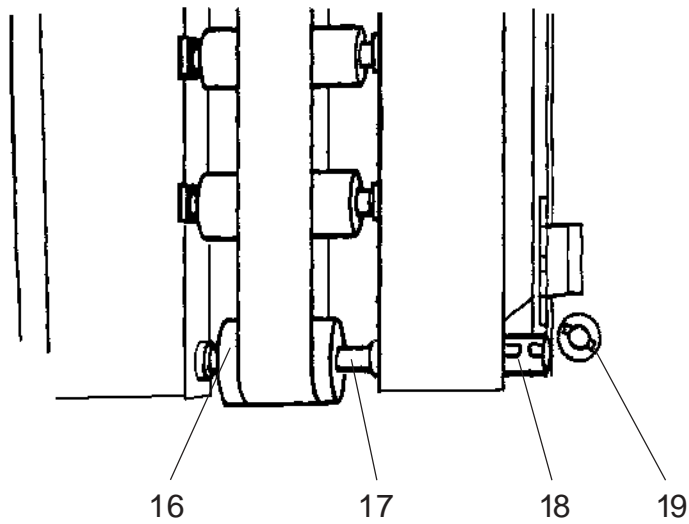
## Feed roller assembly

T07057

Item	Part no.	Qty.	Description	Note
1	90169	12/20	Spring	A4, 8.5"x 11"
	90170	12/20	Spring	A3, 11"x 17", B4
2	90065	6/10	Paper separator pad 90	Standard
	90443	6/10	Paper separator pad 80	High friction
	90754	6/10	Paper separator pad 60	Ultra high friction
	901023	6/10	Paper separator arm assembly	
3	881008	6/10	LED assembly	LED below item 4, Sensor assembly
4	901007	6/10	Sensor assembly	
5	90146	22/34	Bushing	
	60608	22/34	Retaining ring	
6	900141	6/10	Feed roller assembly (incl. item 7)	A3, 11"x 17", B4
	900140	6/10	Feed roller assembly (incl. item 7)	A4, 8.5"x 11"
7	901071		Feed roller kit	Pack of 5 pcs.
8	901024	6/10	Clutch assembly	incl. item 9
9	90099	6/10	Pin	



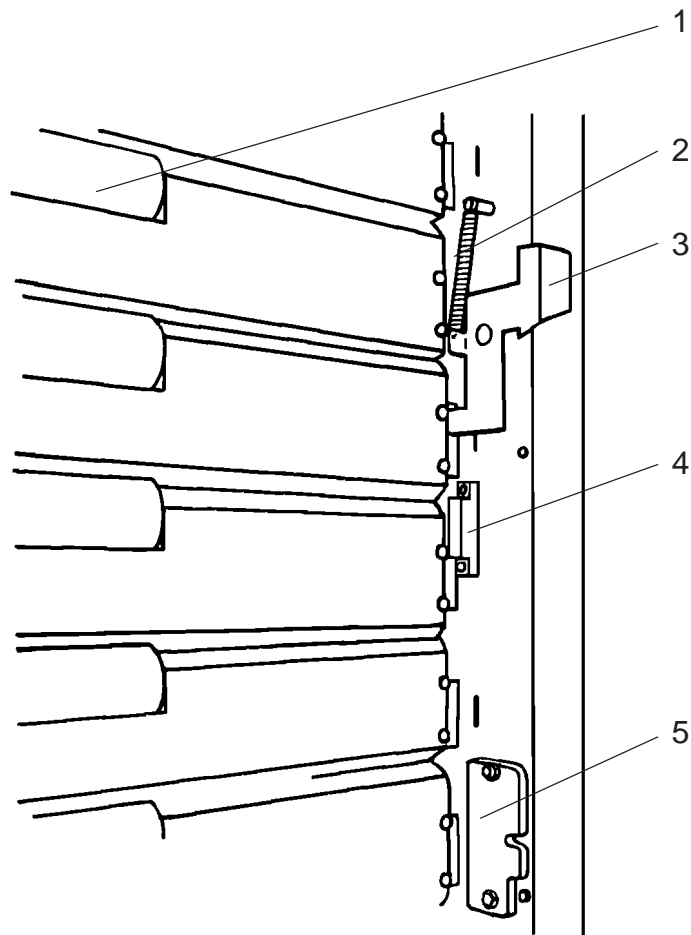
Items shown below describes parts on machines from serial no. xxx 071 001.



# Conveyor assembly

T07057

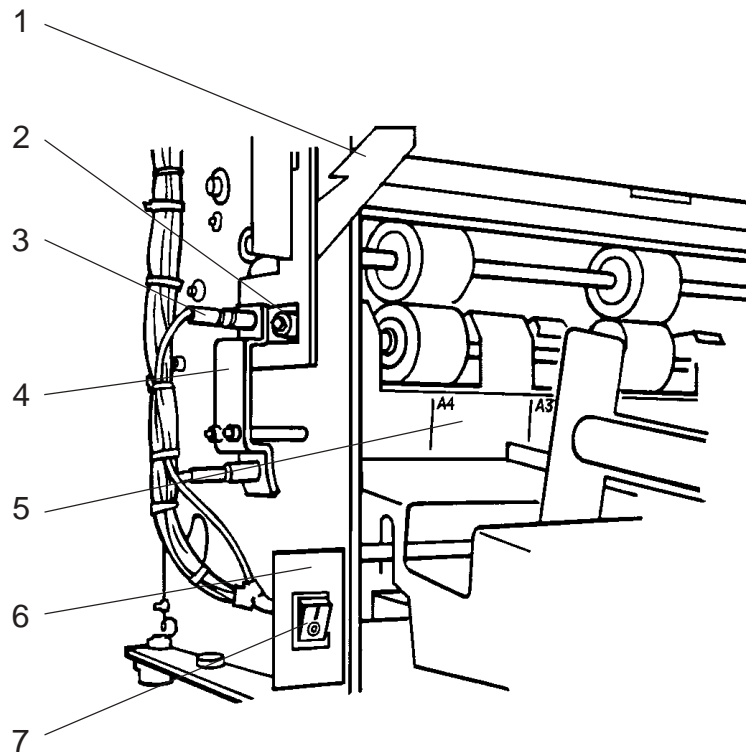
Item	Part no.	Qty.	Description	Note
1	30836	1	Interlock assembly	
2	900123	5/9	Pressure roller	
3	90086	12/20	Plastic guide	
	90210	12/20	Spring	
4	90087	1	Drive shaft	Before S/N XXX 063 624
5	90082	2	Pulley	Before S/N XXX 063 624
	90451	1	Pulley	for Dual Tower Systems Before S/N XXX 063 624
6	90130	1	Spring	Before S/N XXX 063 624
7	90098	1	Pin	Before S/N XXX 063 624
8	900117	1	Drive shaft assembly	Before S/N XXX 063 624
9	20640	1	Drive clutch	Before S/N XXX 063 624
10	90131	2	Ball bearing	Before S/N XXX 063 624
	80557	2	Retaining ring	Before S/N XXX 063 624
11	90127	2	O-ring	Before S/N XXX 063 624
	90454	1	Drive belt	for Dual Tower Systems Before S/N XXX 063 624
12	900124	1	Drive roller assembly	Before S/N XXX 063 624
	900122	1	Idler roller assy, upper	(not shown in figure)
13	90165	1	Belt	6 Stations
	90166	1	Belt	10 Stations
14	90085	1	Shaft	Before S/N XXX 063 624
	60827	2	Ball bearing	Before S/N XXX 063 624
	80557	2	Retaining ring	Before S/N XXX 063 624
15	90083	2	Pulley	Before S/N XXX 063 624
	90453	1	Pulley	for Dual Tower Systems Before S/N XXX 063 624
16	900121	1	Drive roller shaft assy.	From S/N XXX 071 001
	940115	1	Drive roller shaft assy.	for Dual Tower Systems From S/N XXX 071 001
17	90462	1	Shaft	From S/N XXX 071 001
	10509	2	Ball bearing	From S/N XXX 071 001
18	90459	1	Drive clutch	From S/N XXX 071 001
	61049	1	Spring	From S/N XXX 071 001
	56606	1	Pin	From S/N XXX 071 001
	90333	1	Pin	for Dual Tower Systems From S/N XXX 071 001
19	901066	1	Drive Shaft assy.	From S/N XXX 071 001



## Vertical transport area

T07057

Item	Part no.	Qty.	Description	Note
1	900118	6/10	Roller assembly	A4, 8.5"x 11"
	900119	6/10	Roller assembly	A3, 11"x 17", B4
2	90274	1	Spring	6 Stn
	90275	1	Spring	10 Stn
3	90253	1	Door catch	
4	30836	1	Interlock sensor	
5	90277	2	Hinge supporter	
	901008	-	Door catch assembly 10 Stn	Incl item 2,3 & 5
	901013	-	Door catch assembly 6 Stn	Incl item 2,3 & 5

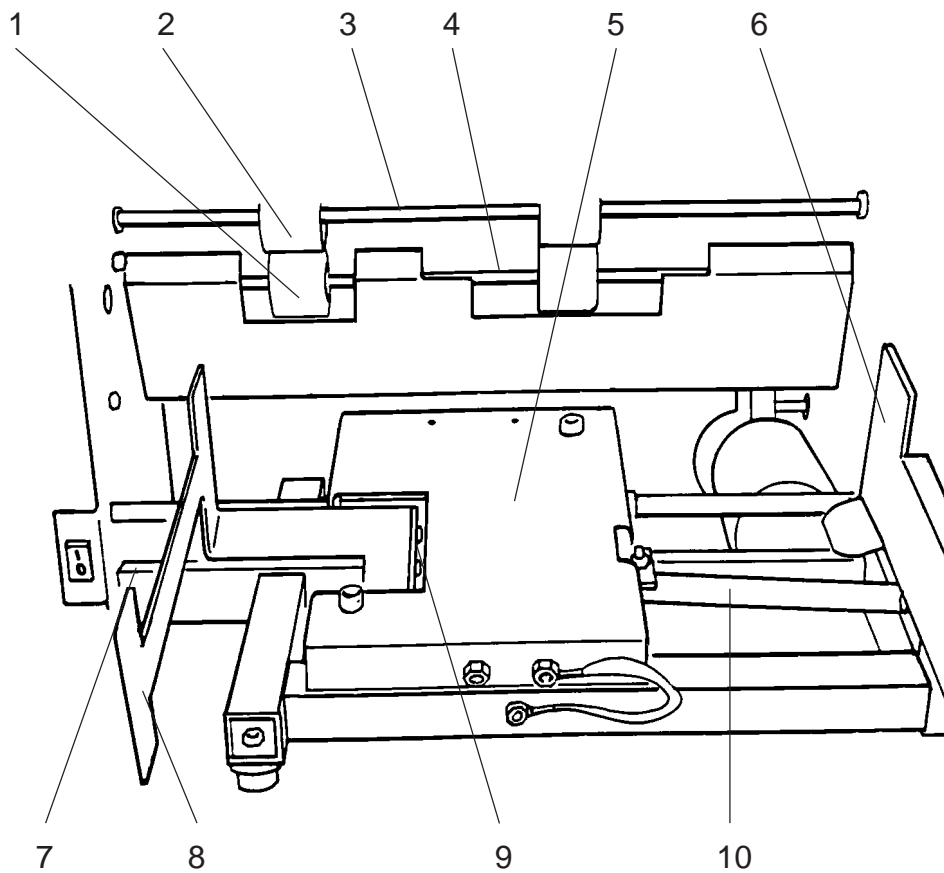


## Lower front view

T07057

---

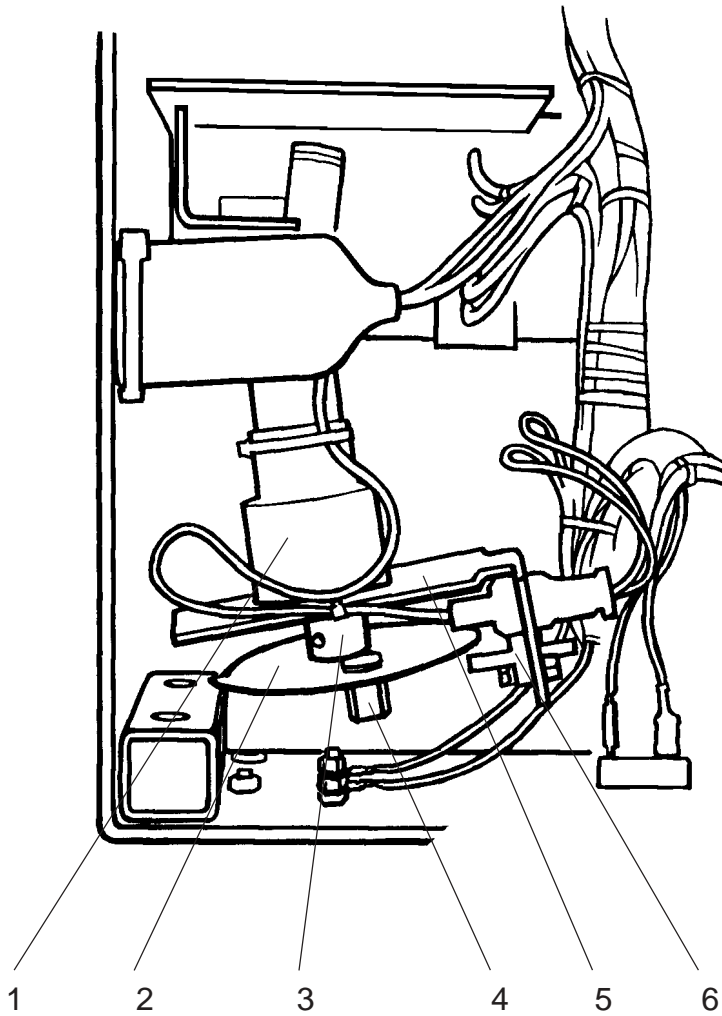
Item	Part no.	Qty.	Description	Note
1	90053	1	Loading lever	
2	90074	1	Roller for loading lever	
3	881008	8/ 12	LED assembly	
	90390	4	LED connector	
4	90109	1	LED bracket	
5	90410	1	Scale	A4, 14"
	90411	1	Scale	A3, 17" , B4
6	90058	1	Power switch bracket	
7	90520	1	Power switch	



# Stacker

T07057

Item	Part no.	Qty.	Description	Note
1	90116	1/2	Lower outfeed wheel	(Grey)
2	90129	2/4	Upper outfeed wheel	(Orange)
3	900112	1	Upper outfeed shaft assembly (incl. item 1)	A4, 8.5"x 11"
	900113	1	Upper outfeed shaft assembly (incl. item 1)	A3, 11"x 17", B4
4	900114	1	Lower outfeed shaft assembly (incl. item 2)	A4, 8.5"x 11"
	900115	1	Lower outfeed shaft assembly (incl. item 2)	A3, 11"x 17", B4
5	90015	1	Carrier	
	24747	2	Flange bushing	
6	90059	1	Rear side guide	
7	90095	1	Stacker guide shaft	A4, 8.5"x 11"
	90094	1	Stacker guide shaft	A3, 11"x 17", B4
8	90031	1	Front side guide	
9	900130R	1	Bracket for side guide	
	90091	1	Pin	
	10531	1	Retaining ring	
	90062	1	Crank arm, stacker	
	90075	2	Bushing	At ends of arm



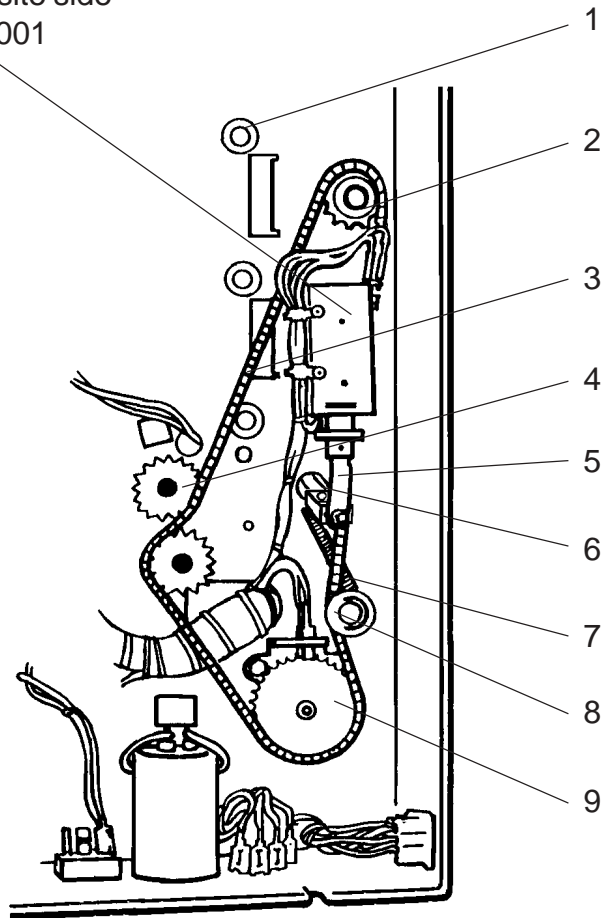
## Stacker Motor

T07057

---

Item	Part no.	Qty.	Description	Note
1	901004	1	Stacker motor	
2	90061	1	Stacker cam	
3	90096	1	Collar for cam	
4	90075	2	Bushing	
5	90108	1	Stacker motor bracket	
6	24645	1	SOS sensor	(Slotted Optical Switch)

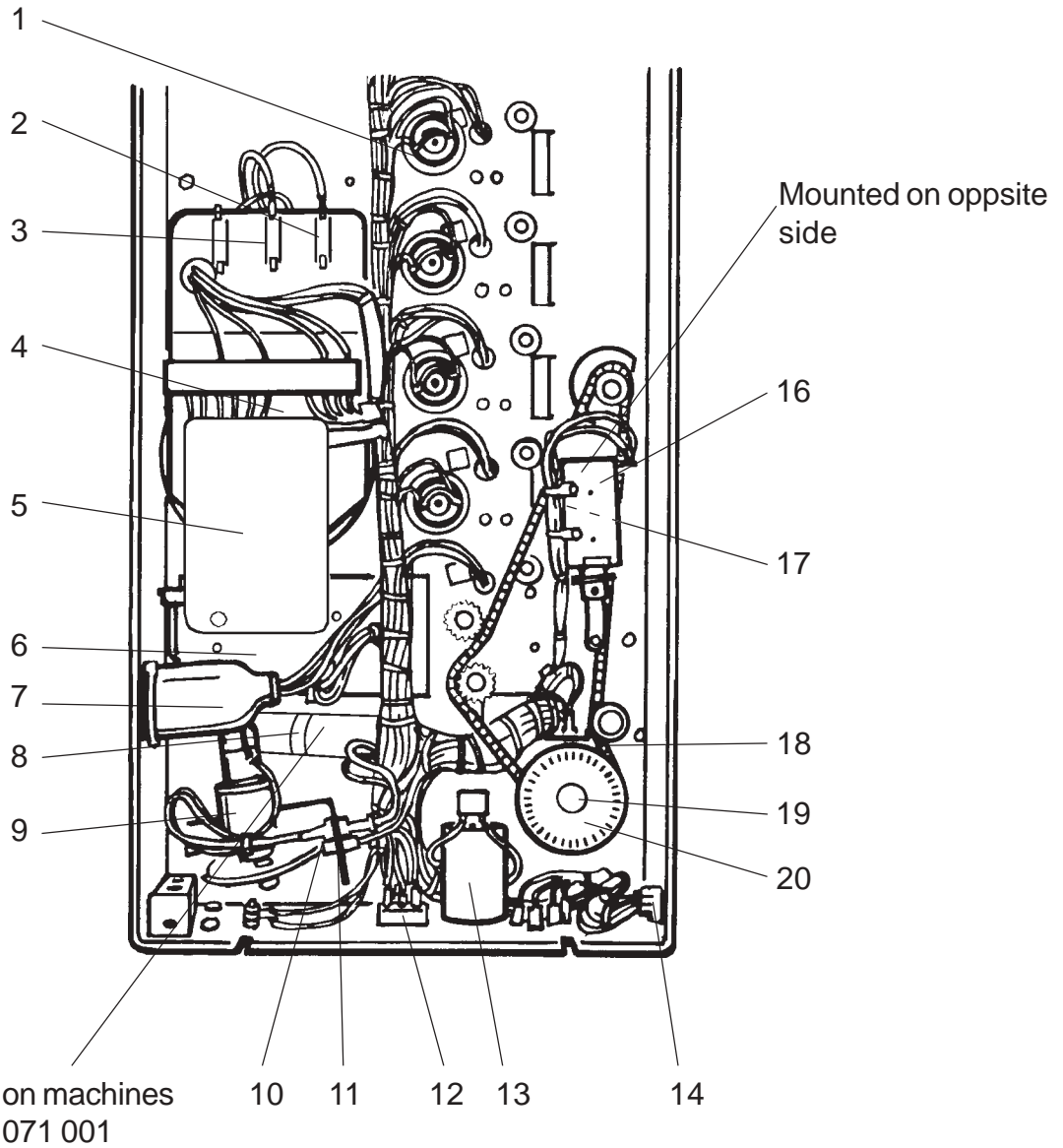
Mounted on opposite side  
from S/N xxx 071 001



## Transmission

T07057

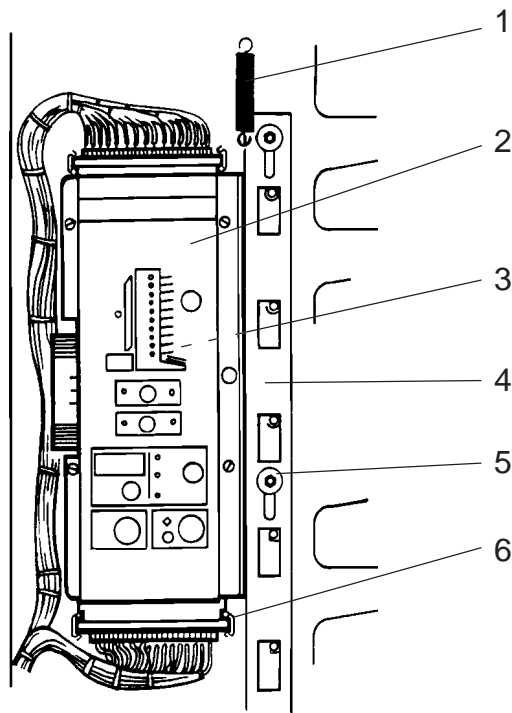
Item	Part no.	Qty.	Description	Note
1	90146	16/24	Bushing	
	60608	16/24	Retaining ring	
2	88114	1	Sprocket	
3	90139	1	Chain	Before S/N XXX 063 624
	80615	1	Chain lock	From S/N XXX 071 001
	90574	1	Chain (endless)	Before S/N XXX 063 624
4	90571	1	Sprocket	
5	90290	1	Solenoid link	Before S/N XXX 063 624
6	90289	1	Shunt bracket	Before S/N XXX 063 624
7	90262	1	Spring	Before S/N XXX 063 624
	90525	1	Spring (0.3x4x15)	S/N XXX 071 001 - 081 095
	90593	1	Spring (0.3x5x15)	From S/N XXX 081 096
8	900116	1	Chain tensioner assembly	
9	90138	1	Sprocket	



## Electrical components rear view

T07057

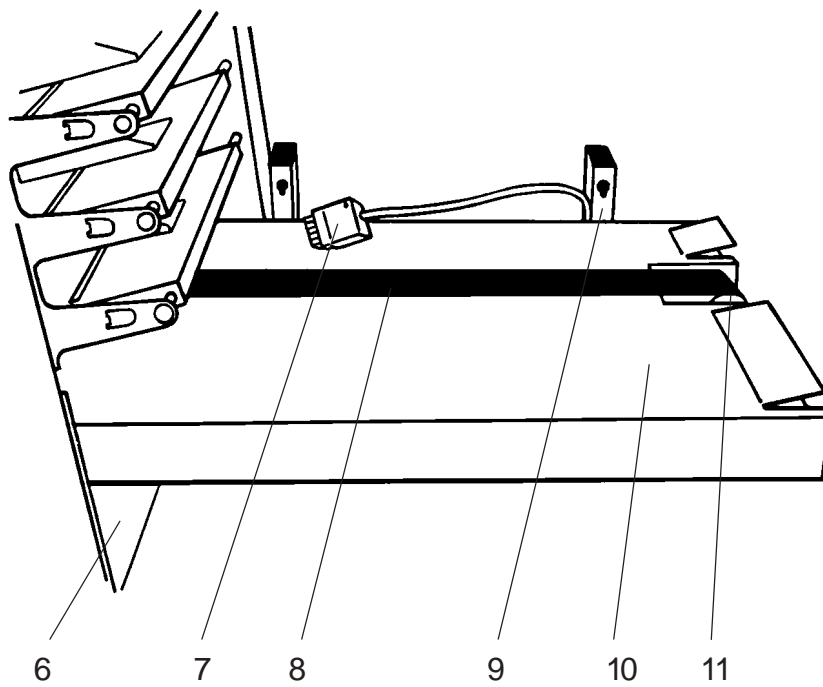
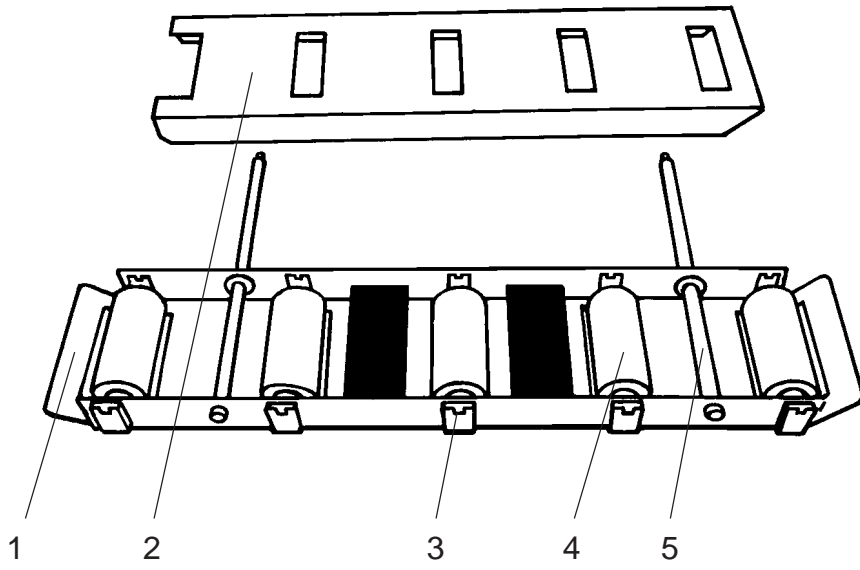
Item	Part no.	Qty.	Description	Note
1	900103	6/10	Feed motor assembly	Incl. clutch socket and pin
	90329	6/10	Pin	
2	20831	1	Fuse 10 Amp.	
3	80519	1	Fuse 2 Amp.	
4	90178	1	Transformer	
5	94046	1	Cooling plate	310 B only
6	901054	1	Power supply PCB	Before S/N XXX 091 216
	901065	1	Power supply PCB	From S/N XXX 091 217
7	90611-UL	1	Receptacle 115 & 230V inclu. AC-filter	From S/N XXX 082 158
	12887-UL	1	Fuse holder 6.3 Amp.	From S/N XXX 082 158
	60651	1	Fuse T3.15 Amp.	50 Hz
	88557	1	Fuse T6.3 Amp.	60 Hz
8	900218	1	AC-Filter	From S/N XXX 071 001
9	901004	1	Motor assembly	
10	24645	1	SOS sensor	
11	88267	4	Connector, sensor	
12	20711	1	Rectifier	
13	901053	1	Capacitor assembly	
14	88492	2	Ground connector	
15	90173	1	Connector, Third party device	
16	901003	1	Solenoid assembly	Before S/N XXX 063 624
	80641	1	Solenoid "Binder"	XXX 071 001 - 081 095
	901059	1	Solenoid assembly "Harting"	From S/N XXX 081 096
17	22741	1	Resistor	
18	88382	1	SOS sensor	
19	901055	1	Motor	
20	90203-Y	1	Tacho disc	



<b>Item</b>	<b>Part no.</b>	<b>Qty.</b>	<b>Description</b>	<b>Note</b>
1	90134	1	Spring	
2	901009	1	Front panel assembly	6 Stn, A3, 11"x 17", B4
	901010	1	Front panel assembly	10 Stn, A3, 11"x 17", B4
	901011	1	Front panel assembly	6 Stn, A4, 8.5"x 11"
	901012	1	Front panel assembly	10 Stn, A4, 8.5"x 11"
3	901040	1	Control PCB	Excl. processor
	901021-1.02	1	Processor	Series 300/400
	941002-2.07	1	Processor	Dual Tower Systems
	901063-1.05	1	Processor	Mailing Systems
	901063-2.00	1	Processor	Mailing Systems
4	90595	1	Guide bar	6 Stn
	90594	1	Guide bar	10 Stn
5	90075	3/ 5	Bushing	
6	87190	4	Hook, PCB connector	
	99074	4	Screw	

## **Section 2:**

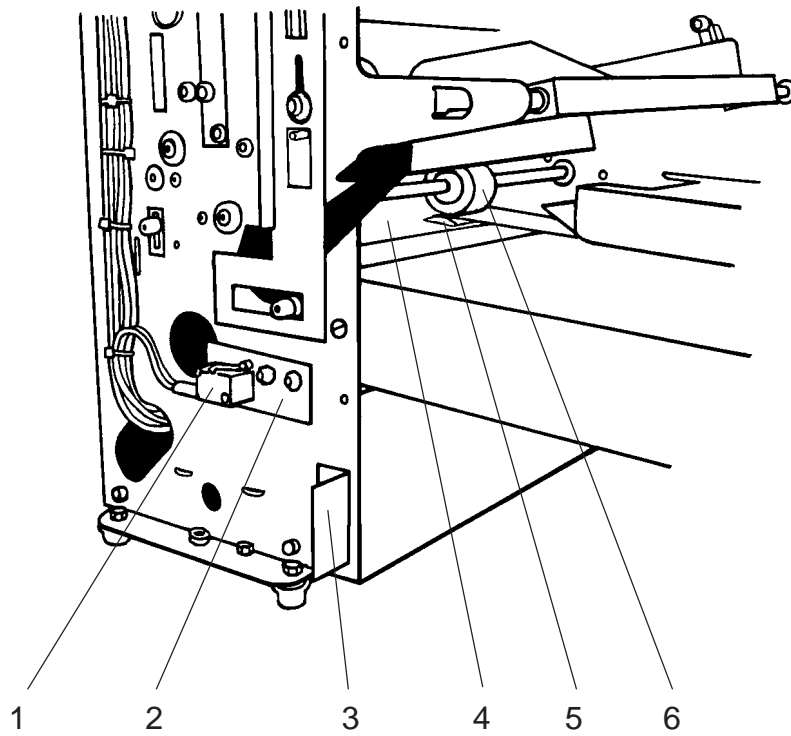
# **Model 310 B Parts**



## Horizontal Transport assembly, 310 B

T07057

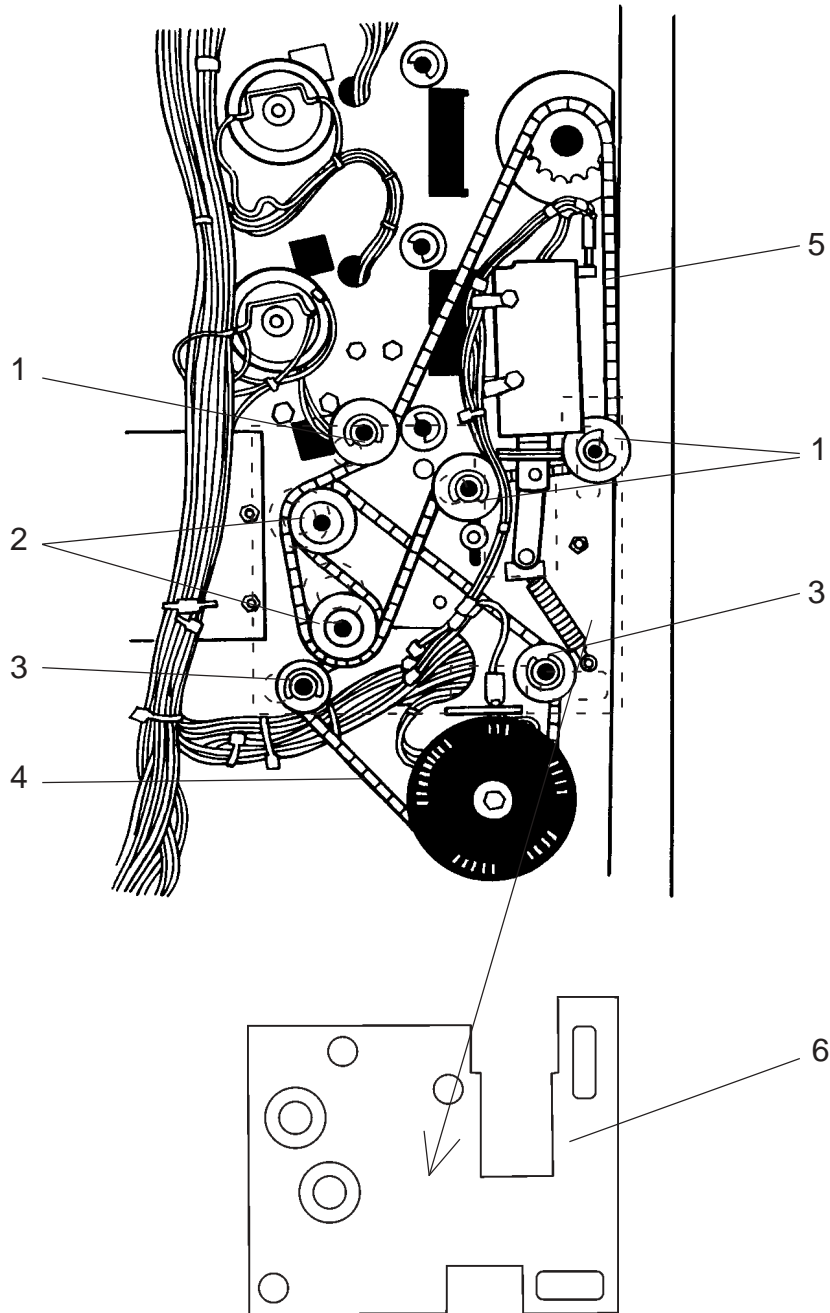
Item	Part no.	Qty.	Description	Note
1	94005	1	Transport Idler housing	
2	94089	1	Transport Idler cover	
3	94051	10	Bearing, Idler roller	
	94029	10	Spring	
4	940109	5	Idler roller	
5	94047	2	Transport Idler shaft	
	90312	4	Cup spring	
	80557	4	Retaining ring	
1-5	940102	1	Transport Idler assembly	Incl. Item 1 - 5
6	94095	1	Cover, lower	
7	940207	1	Connecting cable	
8	94037	1	Transport belt	
9	94013	2	Transport Idler bracket	
10	94001	1	Transport chassis	
11	940110	1	Transport belt tensioner	



## Lower Front view, 310 B

T07057

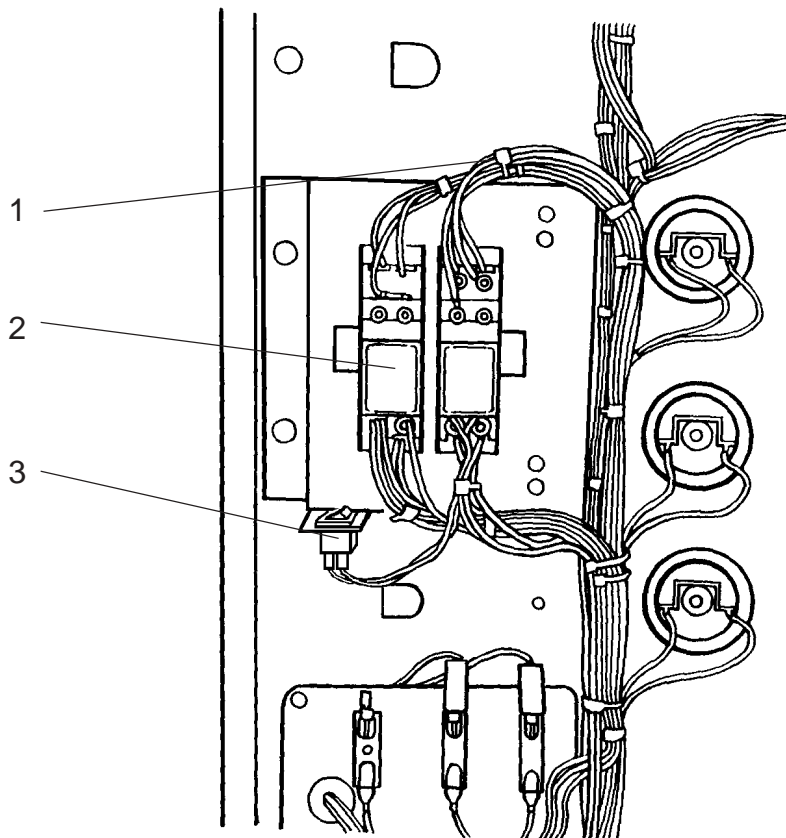
Item	Part no.	Qty.	Description	Note
1	881004	1	Switch assembly	
2	940107	1	Switch bracket assembly	Incl. item 1
3	94017	1	Dummy bracket	
4	94128	1	Upper feeding plate A3	
5	940106	1	Drive shaft, Transport belt	
6	90129	1	Upper Outfeed wheel	
	940105	1	Outfeed shaft	Incl. item 4



## Transmission, 310 B

T07057

Item	Part no.	Qty.	Description	Note
1	940104	3	Roller assembly	For Outer chain
2	940112	2	Reversing Sprocket assy.	Incl. 94024, 94025, 941004
	94024	2	Shaft extension	
	94025	2	Inner sprocket	
	941004	2	Reversing Sprocket assy.	
3	940104	2	Roller assembly	For Inner chain
4	94133	1	Inner chain 75 rollers	From S/N 94 071 001
	80615	1	Chain lock	
5	30626	1	Outer chain 92 rollers	Before S/N 94 063 624
	80615	1	Chain lock	Before S/N 94 063 624
	94131	1	Outer chain 56 rollers	From S/N 94 071 001
6	941001	1	Transmission support plate	Incl. bushings Before S/N 94 063 624
	941009	1	Transmission support plate	Incl. bushings From S/N 94 071 001



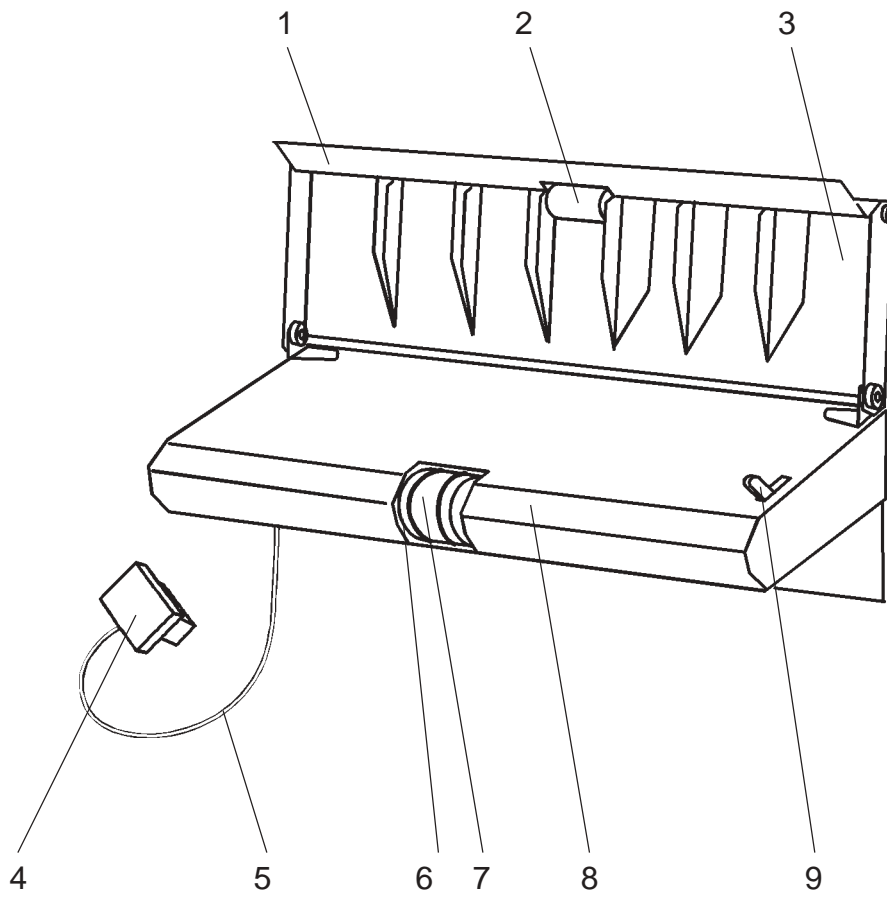
## Electrical components, 310 B

T07057

Item	Part no.	Qty.	Description	Note
1	940205	1	Main Harness, 310 B	
2	94036	2	Relay	Power supply and Transport direction
3	90520	1	Power switch	
	941040	2	Control PCB,	Shown on page 1.22 Dual Tower Systems
	941002-2.07	2	Processor,	Shown on page 1.22 Dual Tower Systems

## **Section 3:**

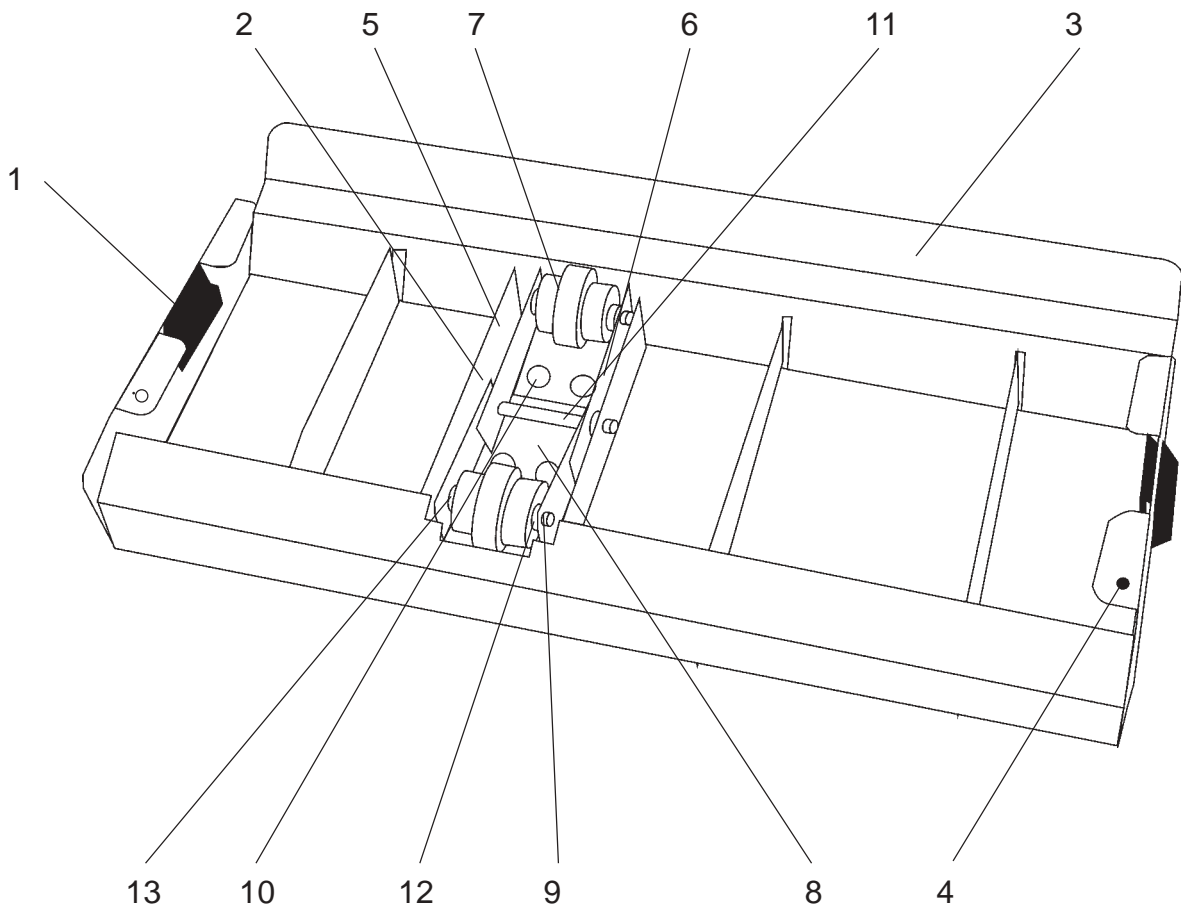
# **Paper Feeder Parts**



## Outer view, Model 900011

T07057

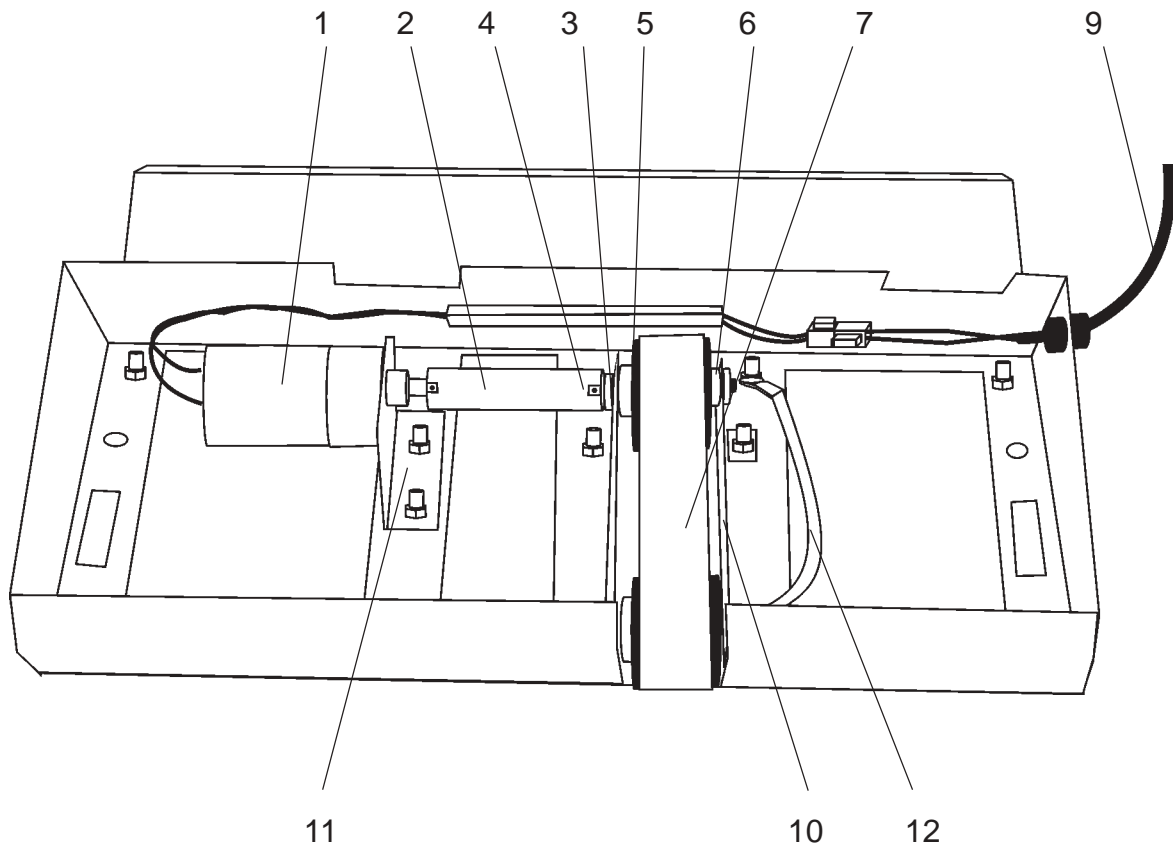
Item	Part no.	Qty.	Description	Note
1	90533	1	Paper deflector	
2	90535	1	Idler roller	
	80687	2	Needle bearing	
	90536	1	Shaft	
	40557	2	Retaining ring	
3	90532	1	Top cover	
4	90318	1	Connector male	
	90319	1	Cover, connector	
5	900012	1	Main harness	Incl. Female connector & terminal block
6	90540	2	O-ring	
7	90537	1	Drive roller	
8	82126	1	Motor	
9	90570	1	Lever	
	90565	1	Sleeve	



## Upper Part, inner view, Model 900014 / 900026

T07057

Item	Part No.	Qty	Description	Note
1	90626	2	Locking handle	
2	901067	1	Pressure roller assembly	Incl. Item 6-13
3	90615	1	Deflector	
4	99242	2	Screw	Plastic, replaced by steel
5	90675	1	Bracket roller arms	
6	90618	2	Arm, rollers	
7	90623	2	Roller	
8	90688	2	Spring	
9	90620	2	Shaft, pressure roller	
10	97135	4	Washer	
11	90621	1	Shaft, roller arm	
12	90627	2	Spacer	
13	90628	2	Spacer	

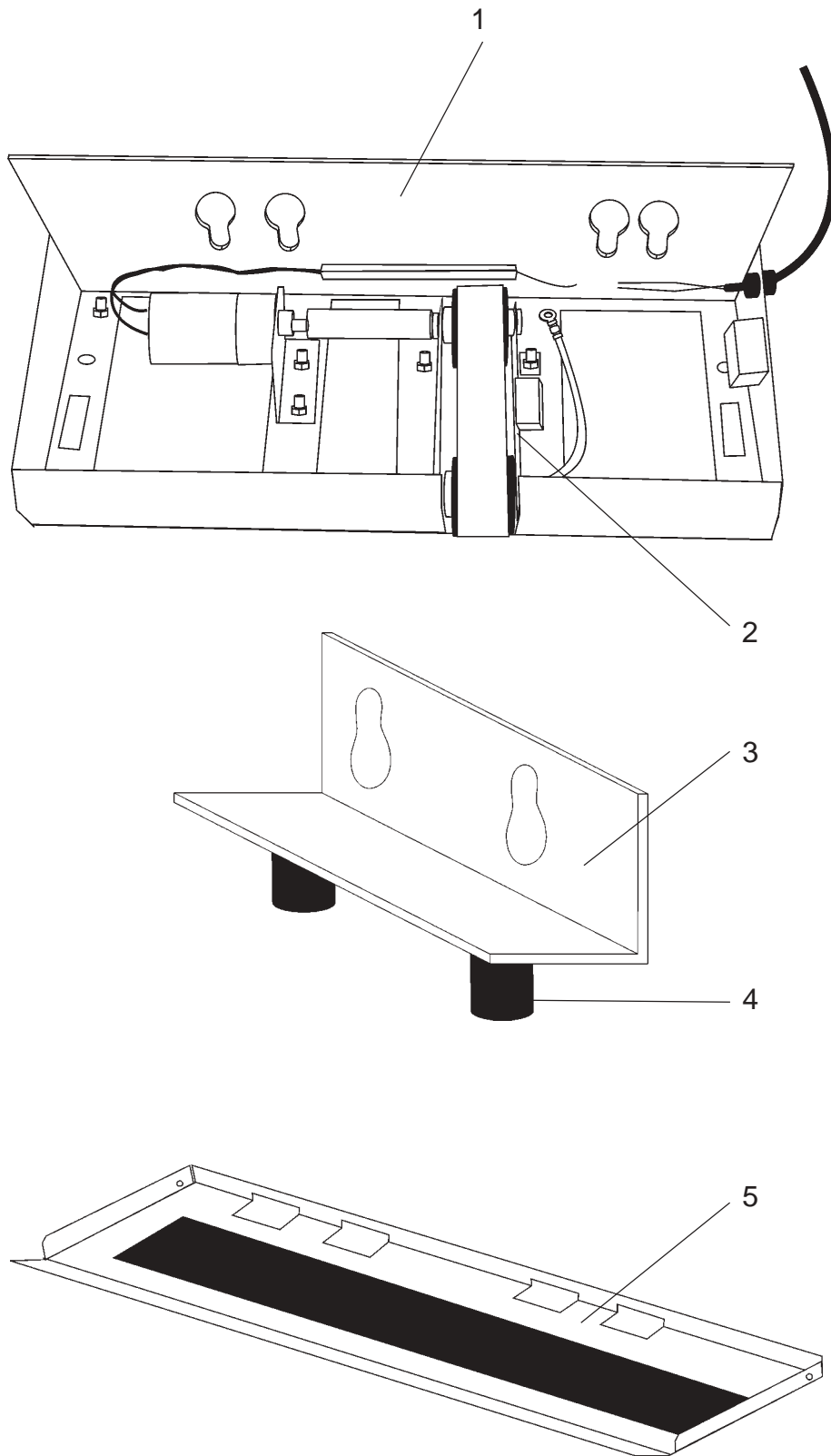


## Middle part, inner view, Model 900014 / 900026

T07057

---

Item	Part No.	Qty	Description	Note
1	901072	1	Motor	M1
2	75541	1	Drive dog	
3	90622	2	Shaft roller	
4	55529	2	Pin	
5	90624	2	Roller plastic	
6	88993	4	Bushing	
7	56670	1	Feed belt	
8	900239	1	Wiring harness	
9	90765	1	Bracket, rollers	
10	90619	1	Bracket, motor	
11	881075	1	Earth strap	

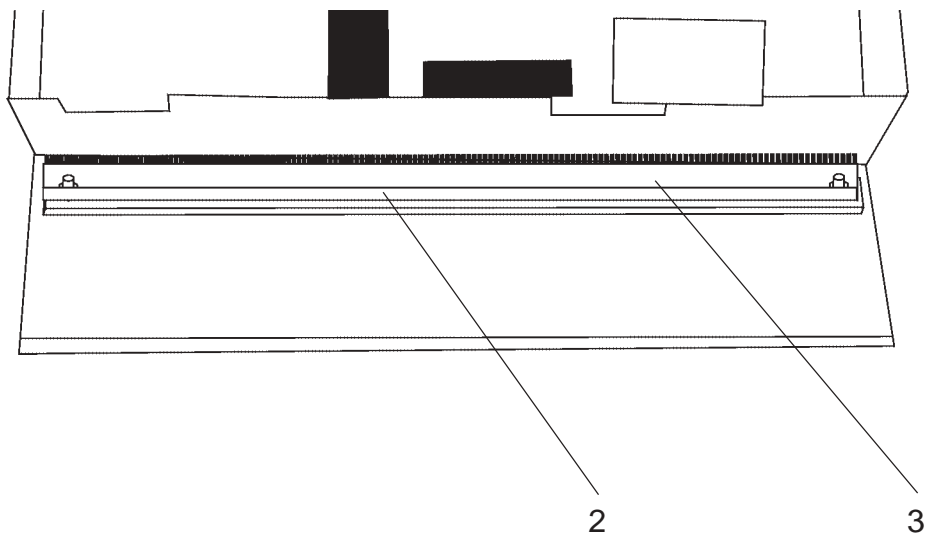
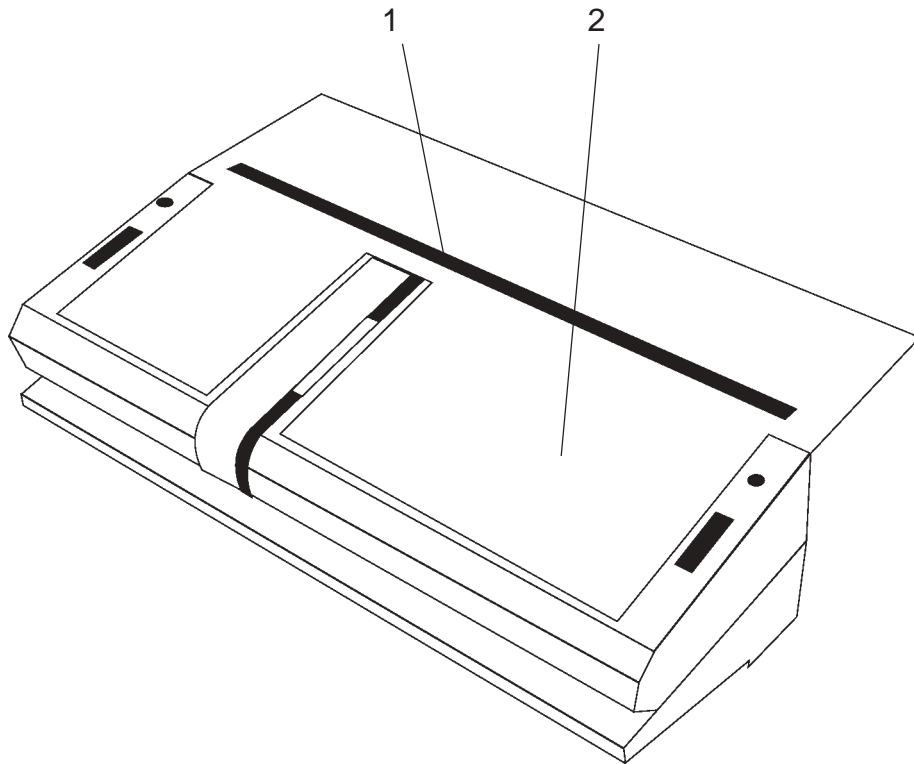


## Lower part, Model 900014

---

T07057

Item	Part No.	Qty	Description	Note
1	90612	1	Main body	Model 900014
2	45747	1	Docking plate	Model 900014
3	90616	1	Bracket, rollers	Model 900014
4	45750	1	Guide, tap	Model 900014
5	90614	1	Cover	Model 900014

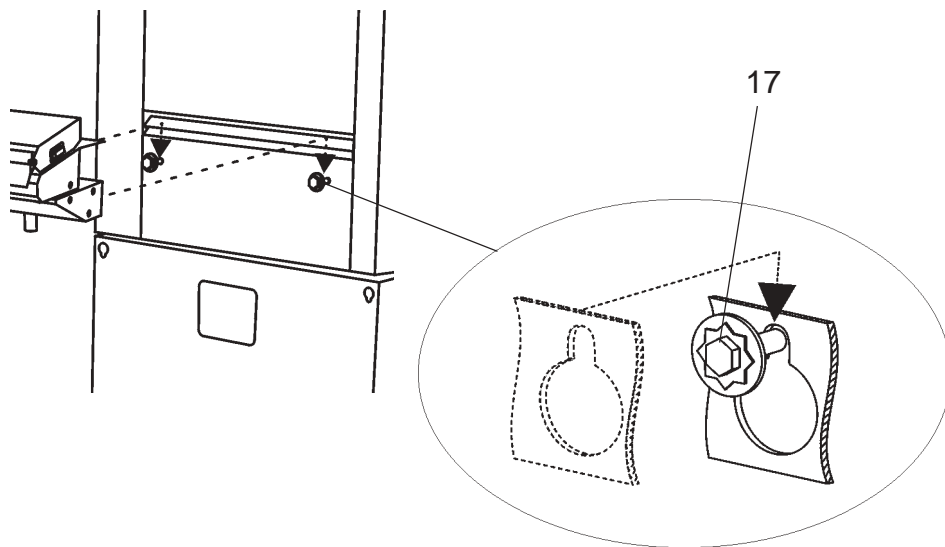
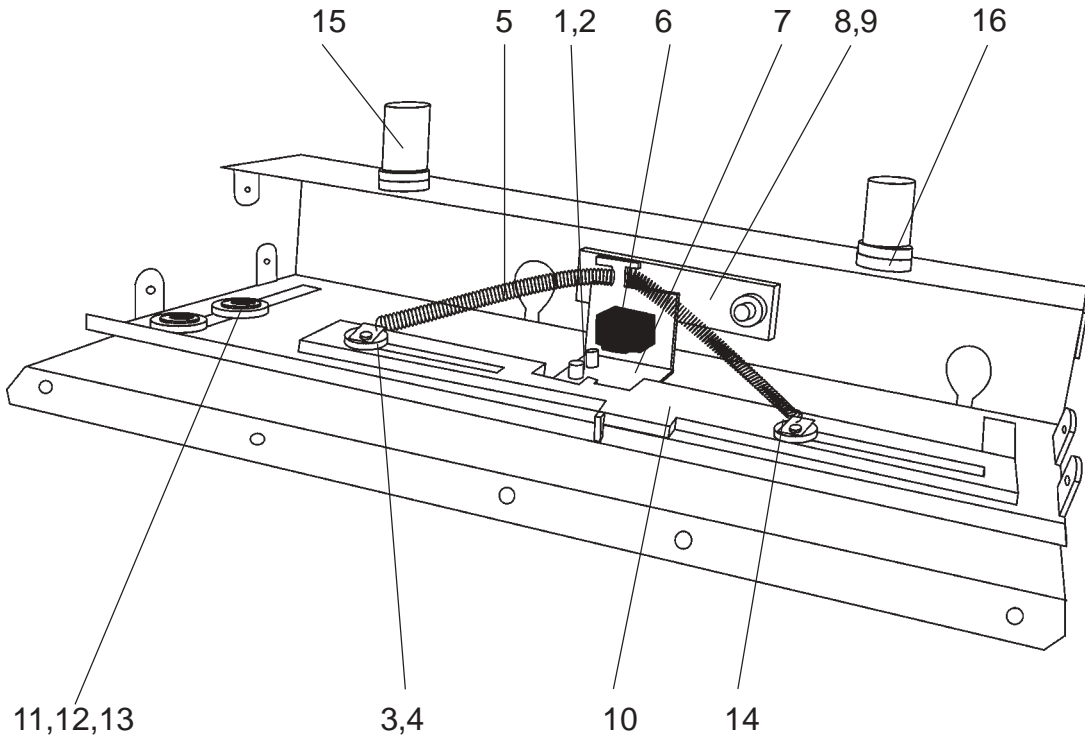


## Middle Part, Model 900026

T07057

---

Item	Part No.	Qty	Description	Note
1	51049	1	Antistatic brush	
2	90770	1	Guide plate	
3	90769	1	Bracket, antistatic brush	



## Lower part, inner view, Model 900026

T07057

Item	Part No.	Qty	Description	Note
1	56640	3	Bearing	
2	97109	6	Spacer	
3	90777	10	Spring cup	
4	90776	2	Stud	
5	90778	1	Tension spring	
6	90779	1	Locking mechanism	
7	90771	1	Bearing cage	
8	90766	1	Bracket, locking mechanism	
9	97056	2	Spacer	
10	90772	1	Positioning lever	
11	60508	4	Bushing	
12	90775	4	Spacer	
13	97129	4	Washer	
14	90768	2	Bracket, spring	
15	45750	2	Guide tap	
16	97100	4	Washer	
17	99400	2	Screw	