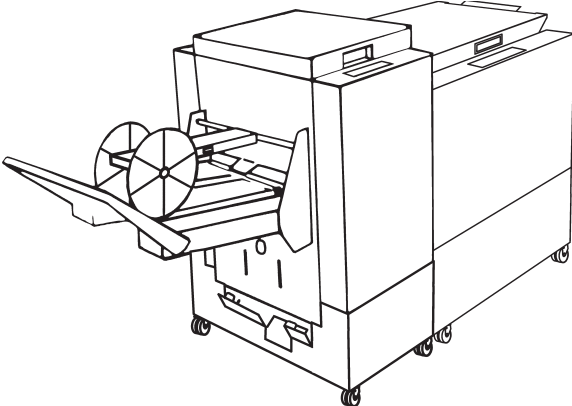


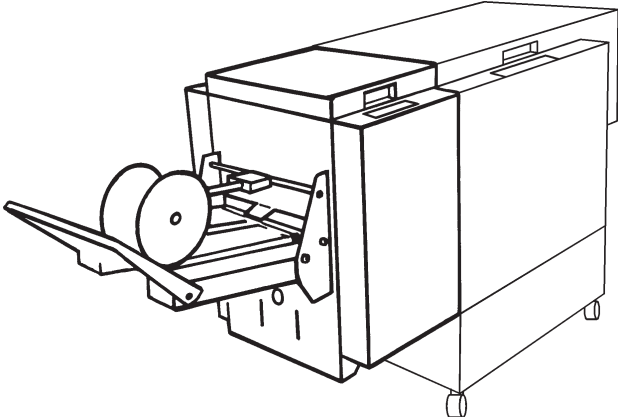
Trimmer Model 83 / 89 / 89-75 / 103 / 1030

Spare Parts List

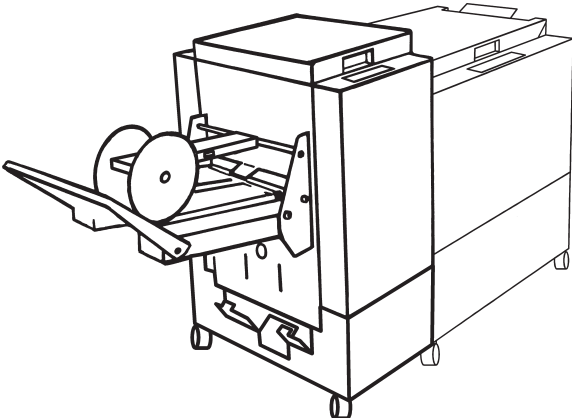
83



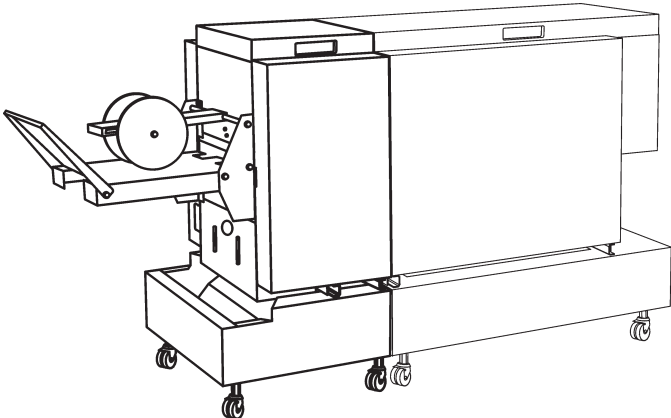
89



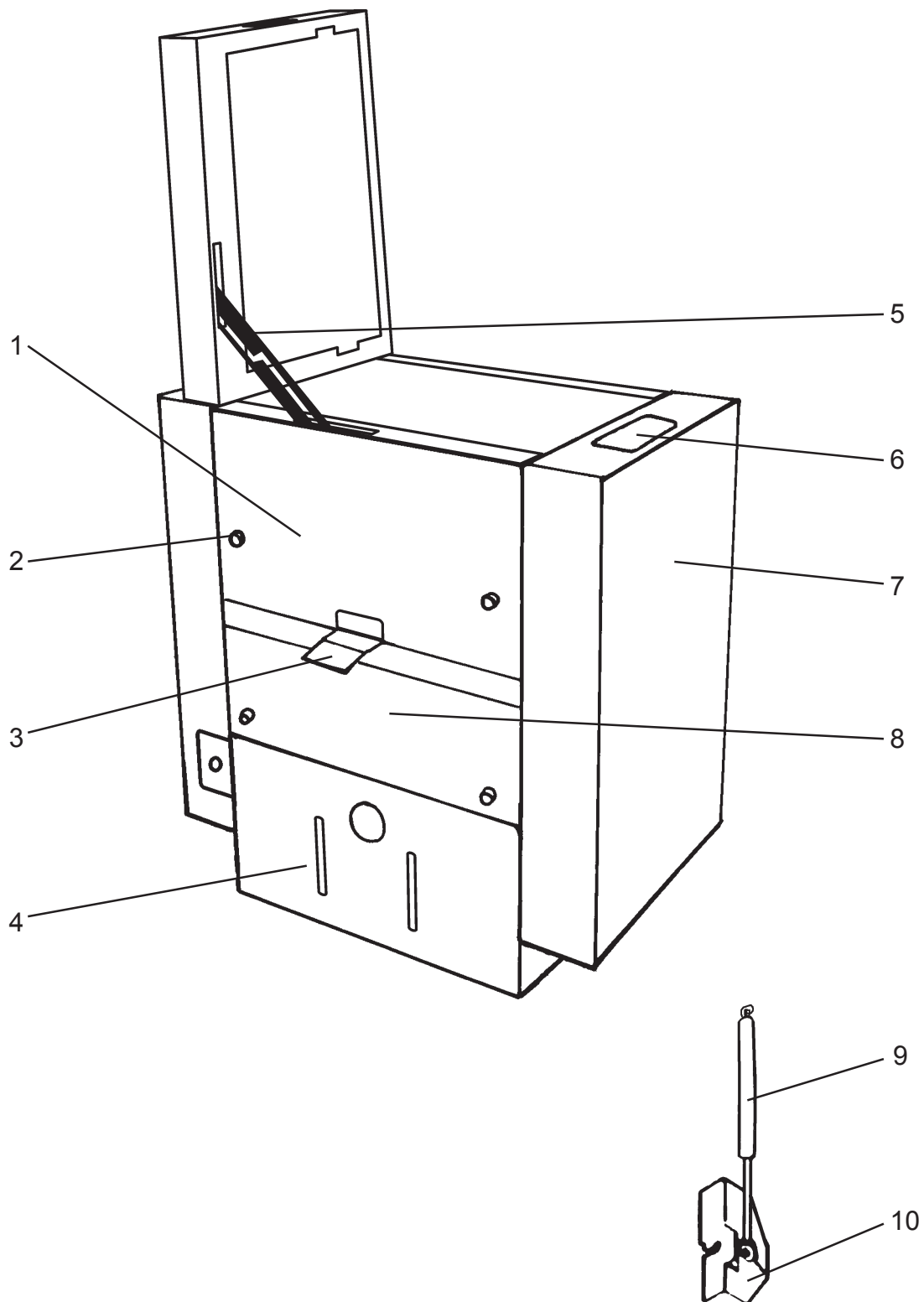
89-75



103/1030



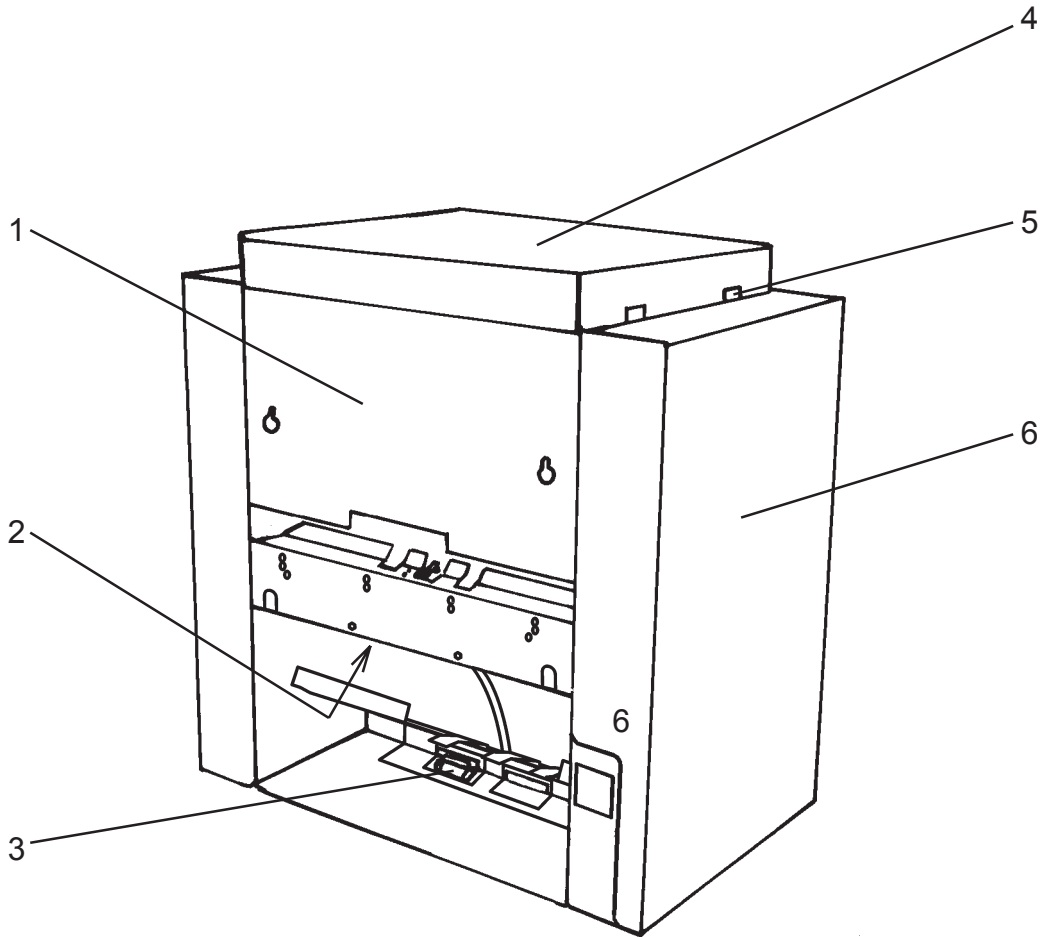
TITLE		PAGE	REVISION
Front and outfeed view		1.1	October -02
Rear and infeed view		1.3	October -02
Rear view (cover removed)	SW 2, 3, 8	1.5	October -02
Front view (cover removed)		1.7	October -02
Infeed frame	SW 1	1.9	October -02
Outfeed sensor & Interlock switch	PT 1/LED 1; SW 6, 7	1.11	October -02
Cam shaft & infeed area		1.13	October -02
Upper outfeed belts	MOT 1, 2	1.15	October -02
Lower outfeed belts		1.17	October -02
Knife assemblies		1.19	October -02
Trimmer stop carriage	SW 4, 5; MOT 3, 4; SOS 10	1.21	October -02
Model 83 and 89-75 parts only		2.1	October -02
Model 103/1030 parts only		3.3	October -02



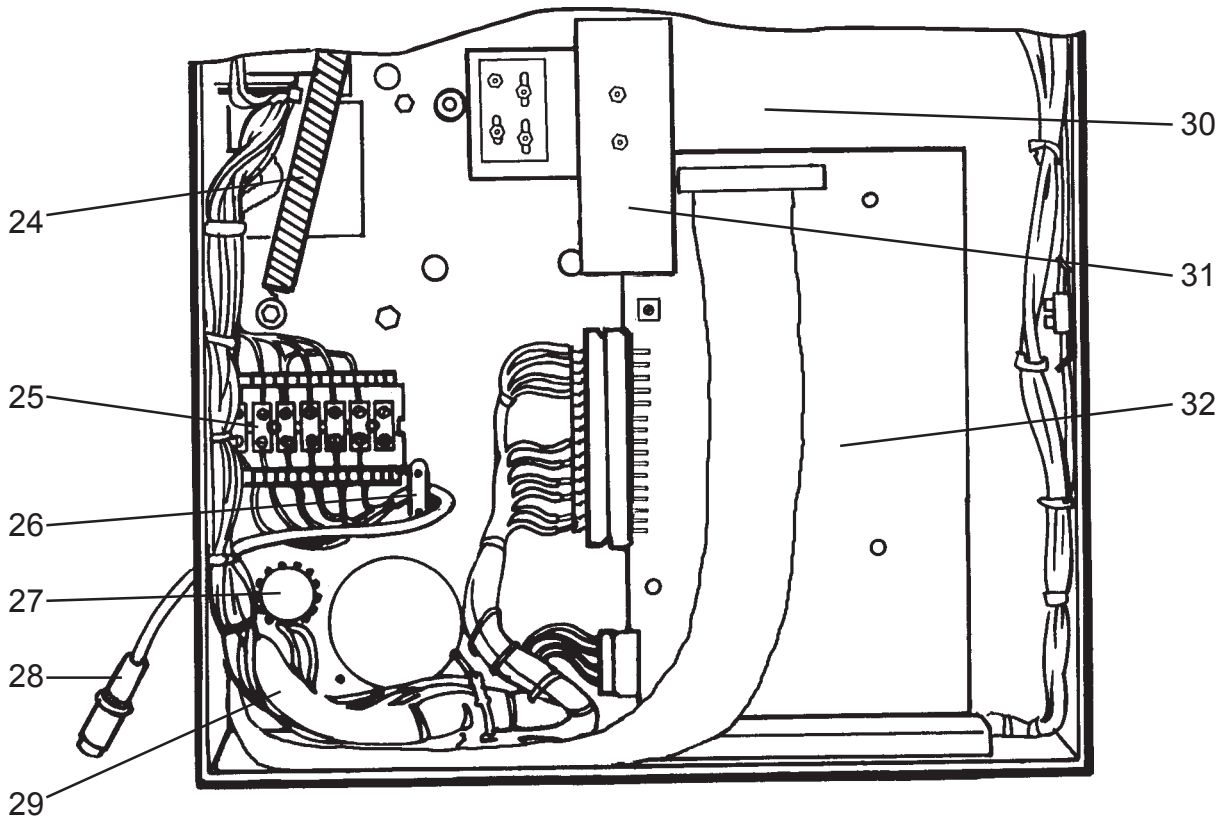
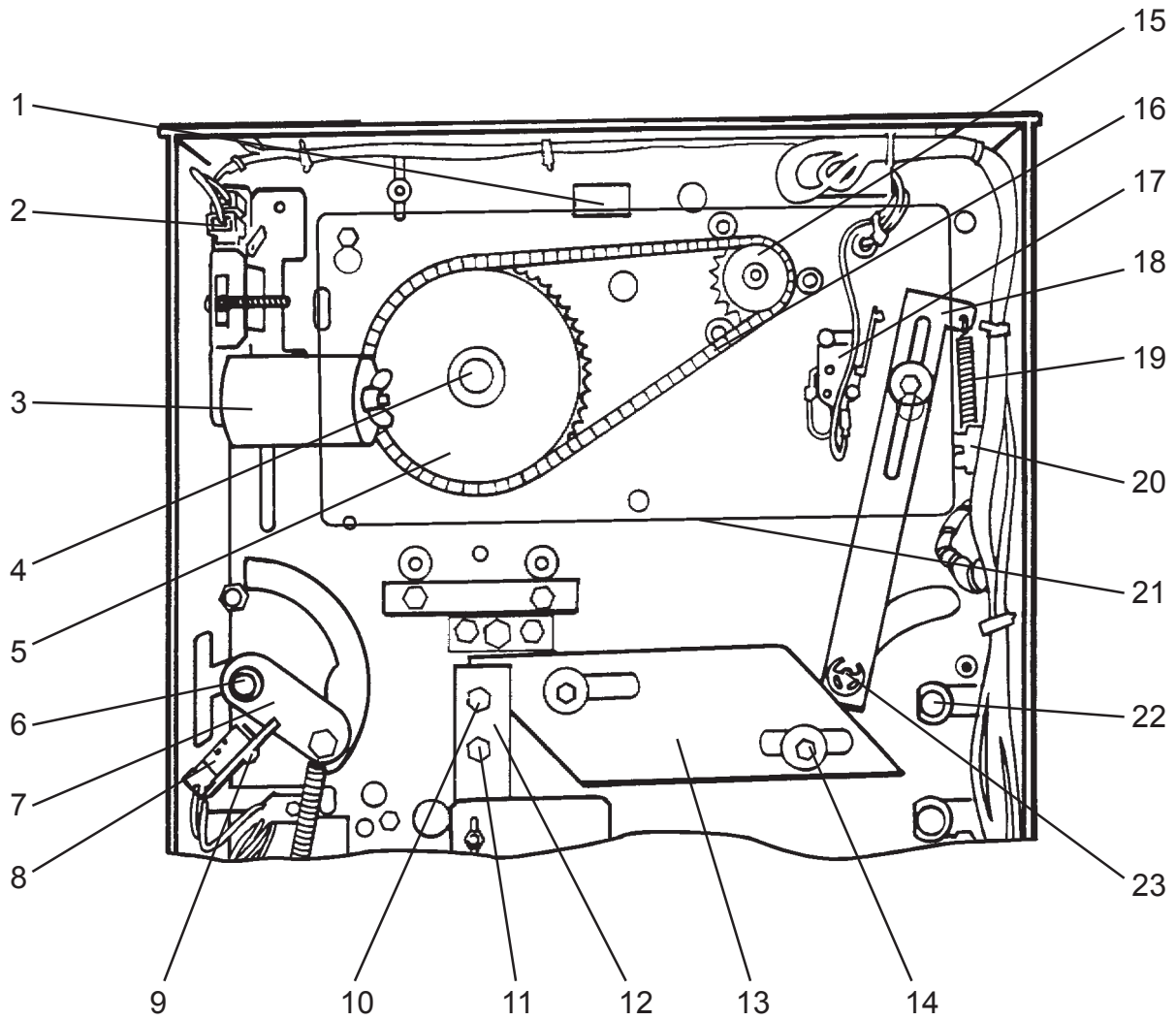
Front and outfeed view

T07066

Item	Part no.	Qty.	Description	Note
1	89510	1	Upper outfeed cover	
2	891026	4	Bracket assy. for stacker	
3	89776	1	Exit paper guide	
4	891088	1	Scrap paper bin assy.	
5	87068	1	Top cover stay	
	88462	1	Bushing, top cover stay	
6	891064	1	Front panel assy., A4/A3	Model 89, 89-75
	891065	1	Front panel assy., 8.5x11"/11x17"	Model 89, 89-75
	891108	1	Front panel assy., A4/A3	Model 83, 103, 1030
	891107	1	Front panel assy., 8.5x11"/11x17"	Model 83, 103, 1030
7	890144	1	Front cover assembly	
8	890140	1	Lower outfeed cover assy.	
9	751035	1	Gas spring assy	Model 83, 103, 1030
10	89008	1	Gas spring bracket	Model 83, 103, 1030



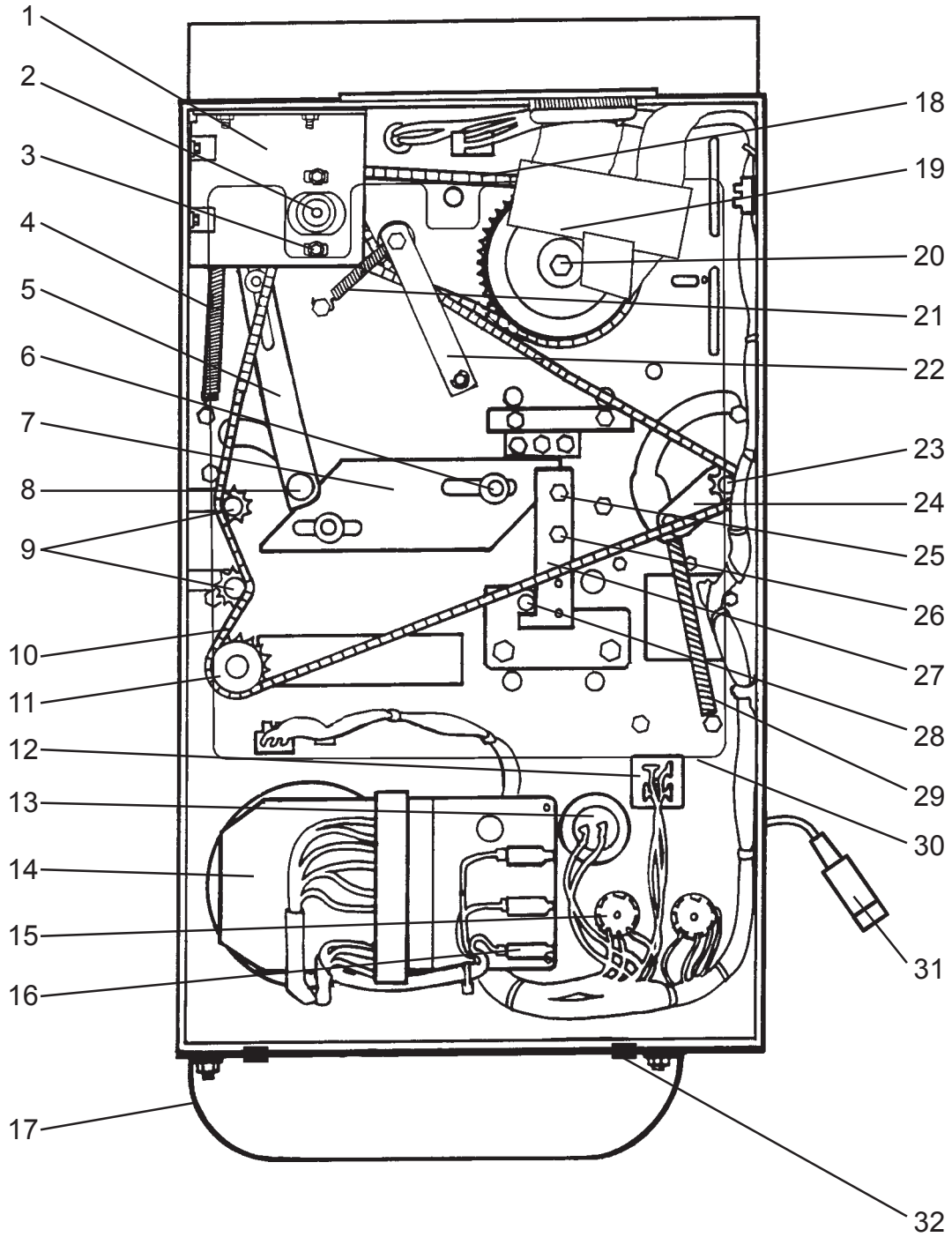
Item	Part no.	Qty.	Description	Note
1	891072	1	Upper infeed cover	Model 83, 89 and 89-75
2	89527	1	Protective cover	
	89849	1	Paper buffle	
3	89640	2	Magnetic lock	
4	891086	1	Top cover assembly	
5	88098	2	Hinge	
6	890145	1	Rear cover assembly	



Rear view (cover removed)

T07066

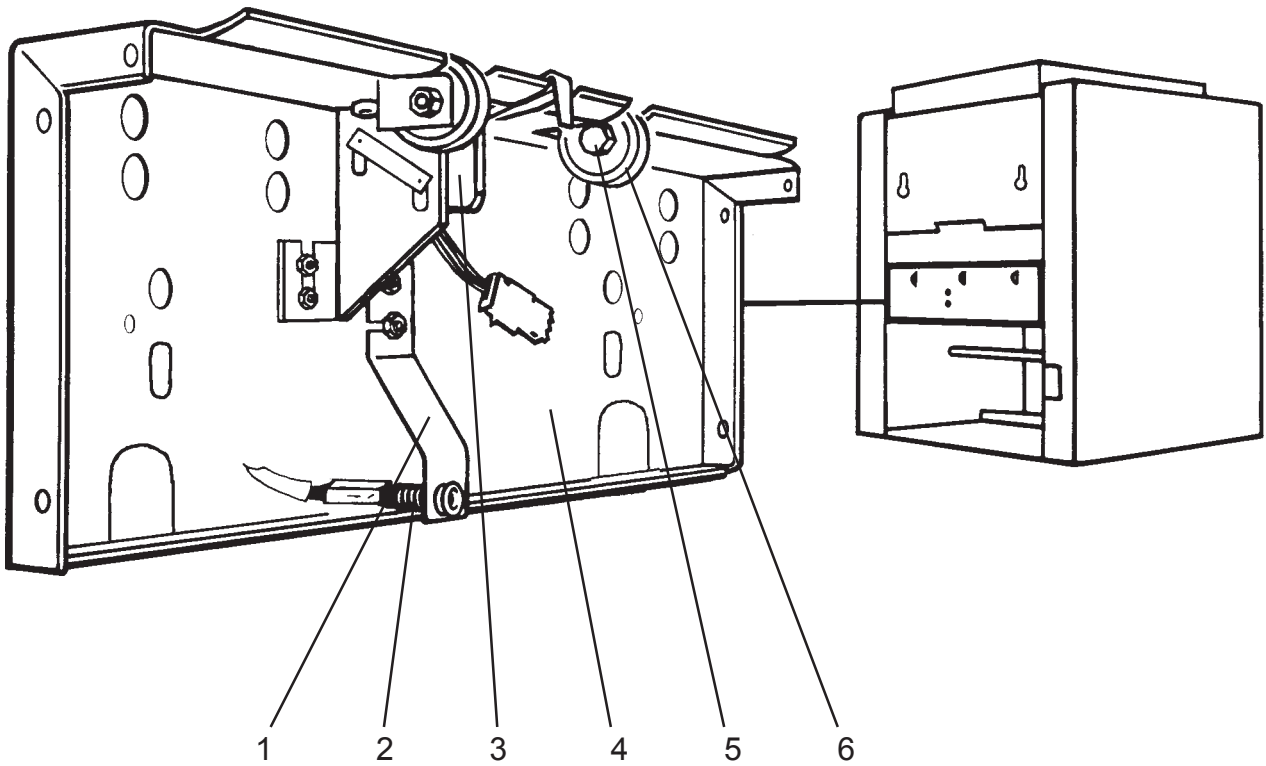
Item	Part no.	Qty.	Description	Note
1	88520	1	Counter	
2	891031	1	Interlock bypass switch assy.	SW 3
3	891048	1	Safety block for knife beam	
4	99333	1	Bolt, front	
5	89529	1	Sprocket	
6	89609	1	Flange bushing	
7	89530	1	Infeed linkage	
8	891032	1	Microswitch assy.	SW 2
9	89651	1	Bracket for switch	
10	89693	1	Spacer	
	80746	1	Bearing	
11	89692	1	Spacer	
12	89525	1	Lifting bracket	
13	89531	1	Side guide	
14	89568	2	Shaft for side guide	
15	891061	1	Sprocket assy.	
16	891033	1	Drive chain	
17	891034	1	Microswitch assy.	SW 8
18	89532	1	Bracket for spring	
19	89633	1	Spring	
20	60707	1	Terminal block	
21	89737	1	Safety cover	Transparent
22	89609	2	Flange bushing	
23	60627	1	Needle bearing	
24	89635	1	Spring	
25	60707	1	Terminal block	
26	25570	2	Clamp	
27	88492	1	Ground terminal	
28	890207	1	Interface cable	
29	890202	1	Main harness	
30	890213	1	Front panel extension assy	
31	891049	1	Knife position indicator assy.	
32	891085	1	Printed circuit board	Model 83, 89 and 89-75. Also Model 103 if not tag1
	891110	1	Printed circuit board	Model 103, 1030 if tag1
	89780	1	Fuse, 5A 250V	
	89781	1	Fuse, 7A 250V	



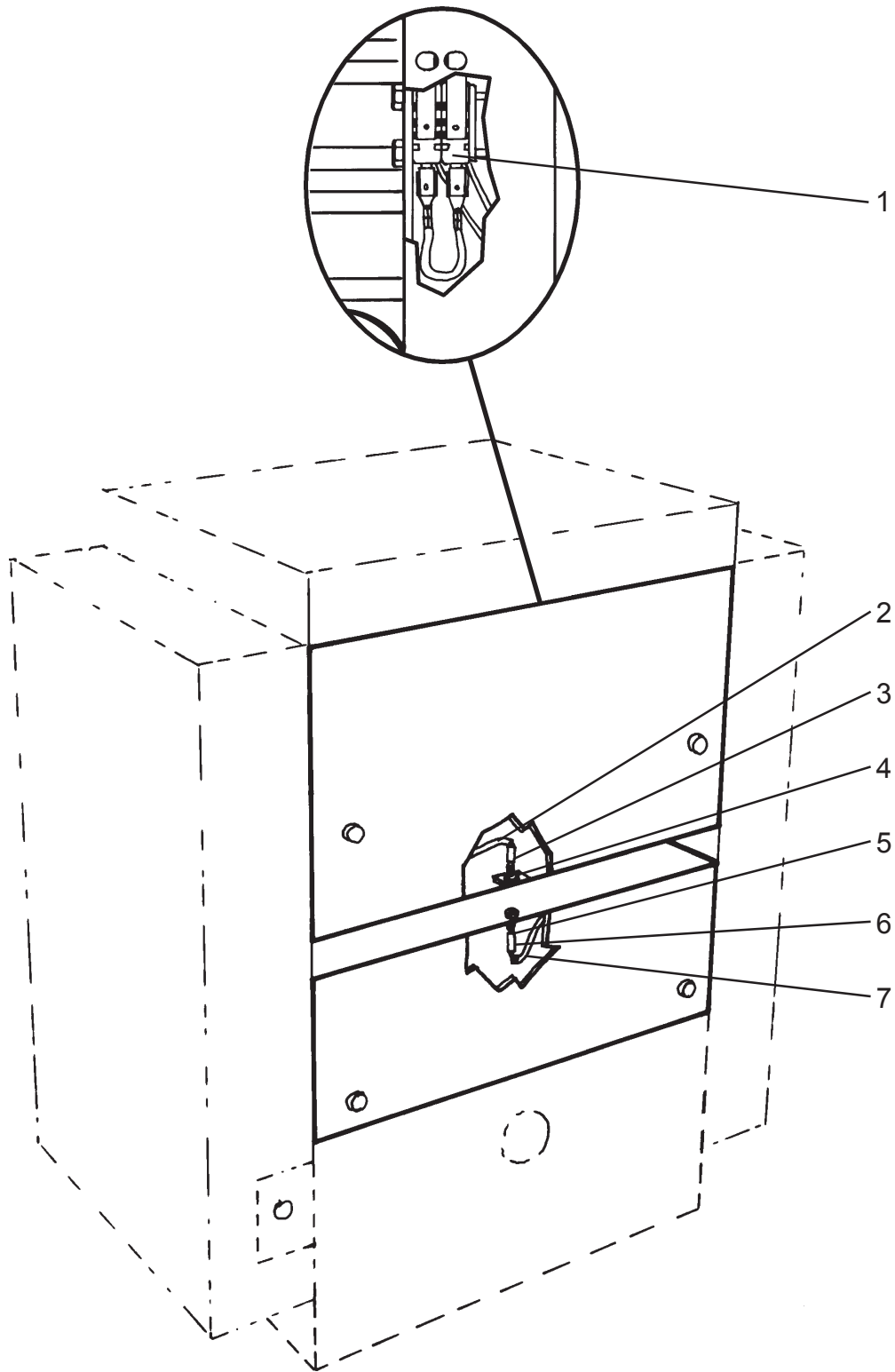
Front view (cover removed)

T07066

Item	Part no.	Qty.	Description	Note
1	891052	1	Support bracket assy.	Incl. 89757, 89759
2	891051	2/1	Sprocket assy. Incl. clutch	19T. Model 83, 89, 89-75 <i>if</i> tag3 and 103, 1030. Qty 1 if Model 89-75 and <i>if not</i> tag3
	891071	1	Sprocket assy. Incl. Clutch	16T. Model 89-75 <i>if not</i> tag3
3	89757	1	Adjustable bracket	
	89759	1	Bushing	
4	89633	1	Spring	
5	89532	1	Bracket for spring	
6	89568	2	Shaft for side guide	
7	89531	1	Side guide	
8	60627	1	Needle bearing	
9	89578	2	Sprocket	12T
	89609	2	Flange bushing	
10	891035	1	Drive chain	
	881197	1	Chain extension kit	Model 89-75 <i>if</i> Tag3
11	890121	1	Sprocket assy	19T. Incl shaft, bushing & spacers
12	20711	1	Rectifier	
13	891015	1	Capacitor assy	
14	88541	1	Transformer	
15	88492	2	Ground terminal	
16	89779	1	Fuse, 16A Slow blow	
17	89755	2	Supporter	Model 89
18	891036	1	Drive chain	
19	890111	1	Sprocket for cam shaft assy	
20	99334	1	Bolt, rear	
21	89699	1	Spring	
22	890122	1	Chain stretcher assy.	Incl. 89699
23	88826	1	Sprocket	10T. Model 83, 89, 103, 1030
	89867	1	Sprocket	14T. Model 89-75 <i>if not</i> Tag3
	90571	1	Sprocket	15T. Model 89-75 <i>if</i> Tag3
	89609	1	Flange bushing	
24	89530	1	Infeed linkage	
25	89693	1	Spacer	
	80746	1	Bearing	
26	89692	1	Spacer	
27	89525	1	Lifting bracket	
28	89553	1	Shaft	
29	89635	1	Spring	
30	89738	1	Safety cover	Transparent
31	891014	1	Power supply assy	
32	881064	4	Clip-nut assy.	



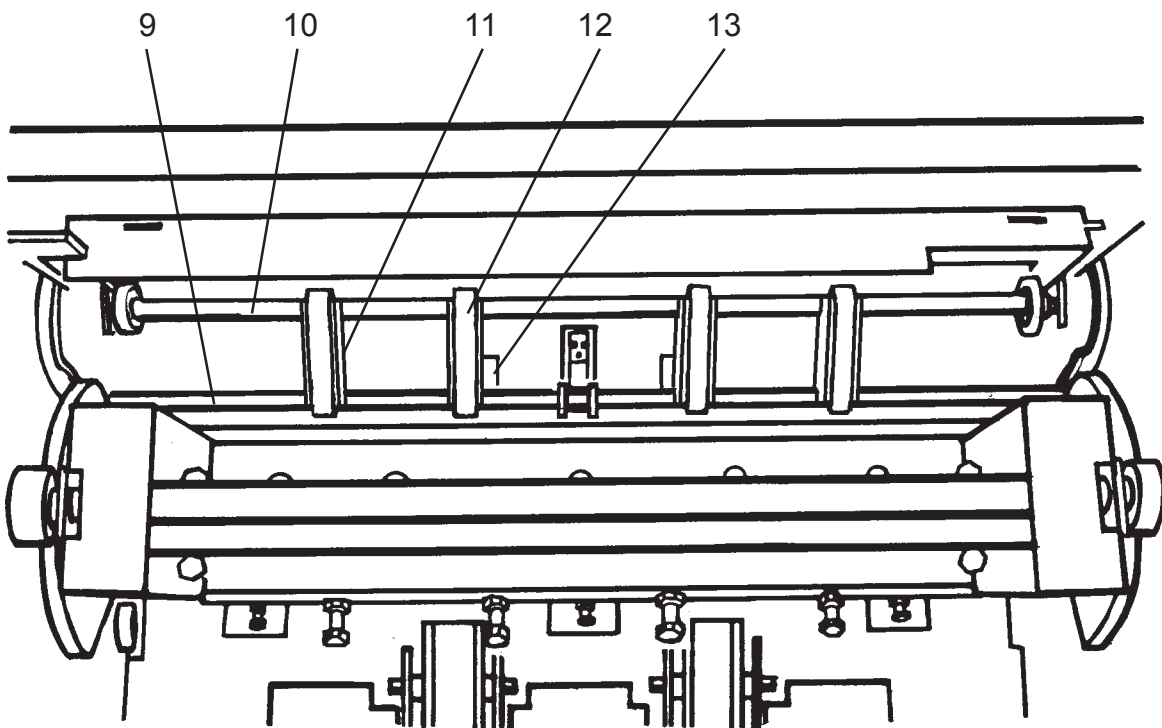
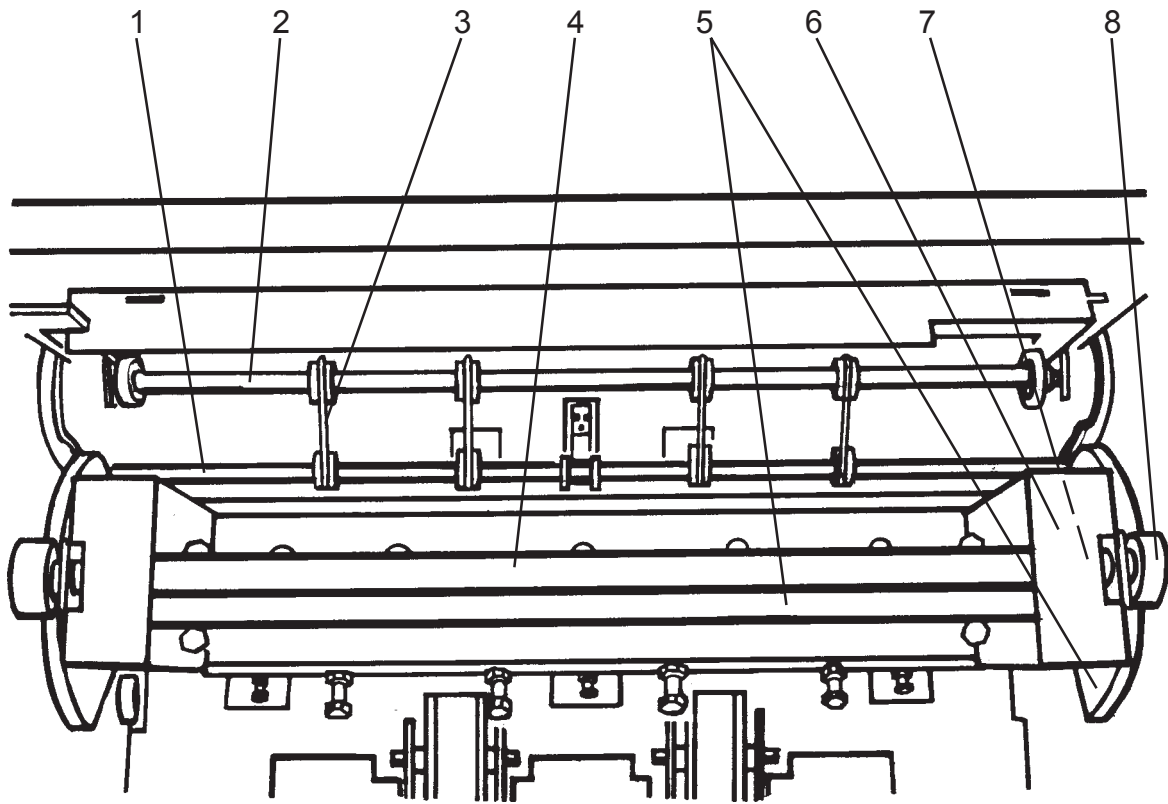
Item	Part no.	Qty.	Description	Note
1	89770	1	Bracket for LED	
2	881008	1	LED assy	
3	891067	1	Switch assy.	SW 1 Incl. Bracket
4	89939	1	Frame, infeed	
5	89548	2	Shaft for bearing	For single bearing version
	89958	2	Shaft for bearing	For dual bearing version
6	60827	2/4	Bearing	



Outfeed sensor & Interlock switch

T07066

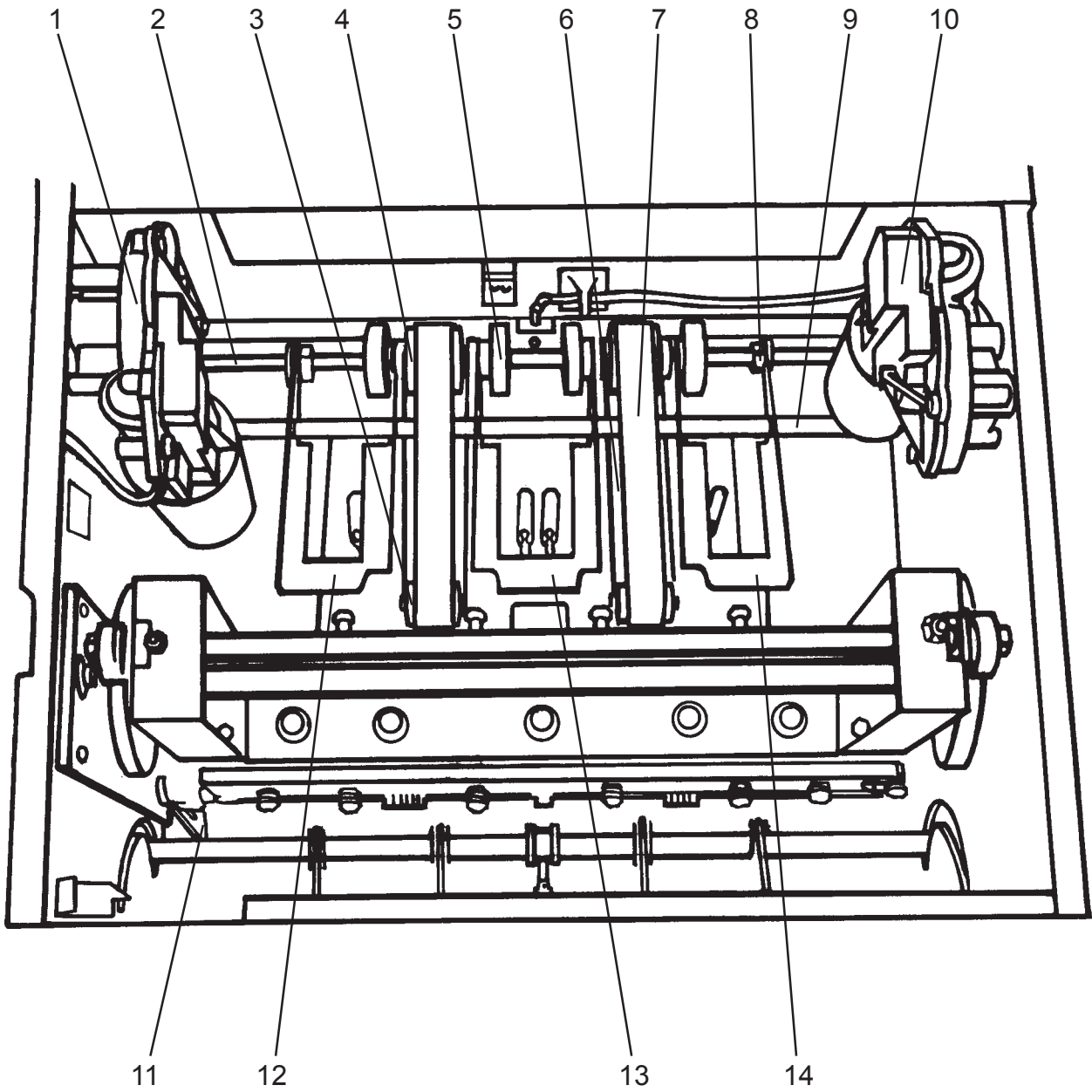
Item	Part no.	Qty.	Description	Note
1	891040	1	Interlock switch assy.	SW6, SW7
2	891039	1	Cable assy.	
3	88267	1	Connector	
4	881009	1	Sensor assy.	PT 1
5	881008	1	LED assy.	LED 1
6	88267	1	Connector	
7	891008	1	Cable assy.	



Cam shaft & infeed area

T07066

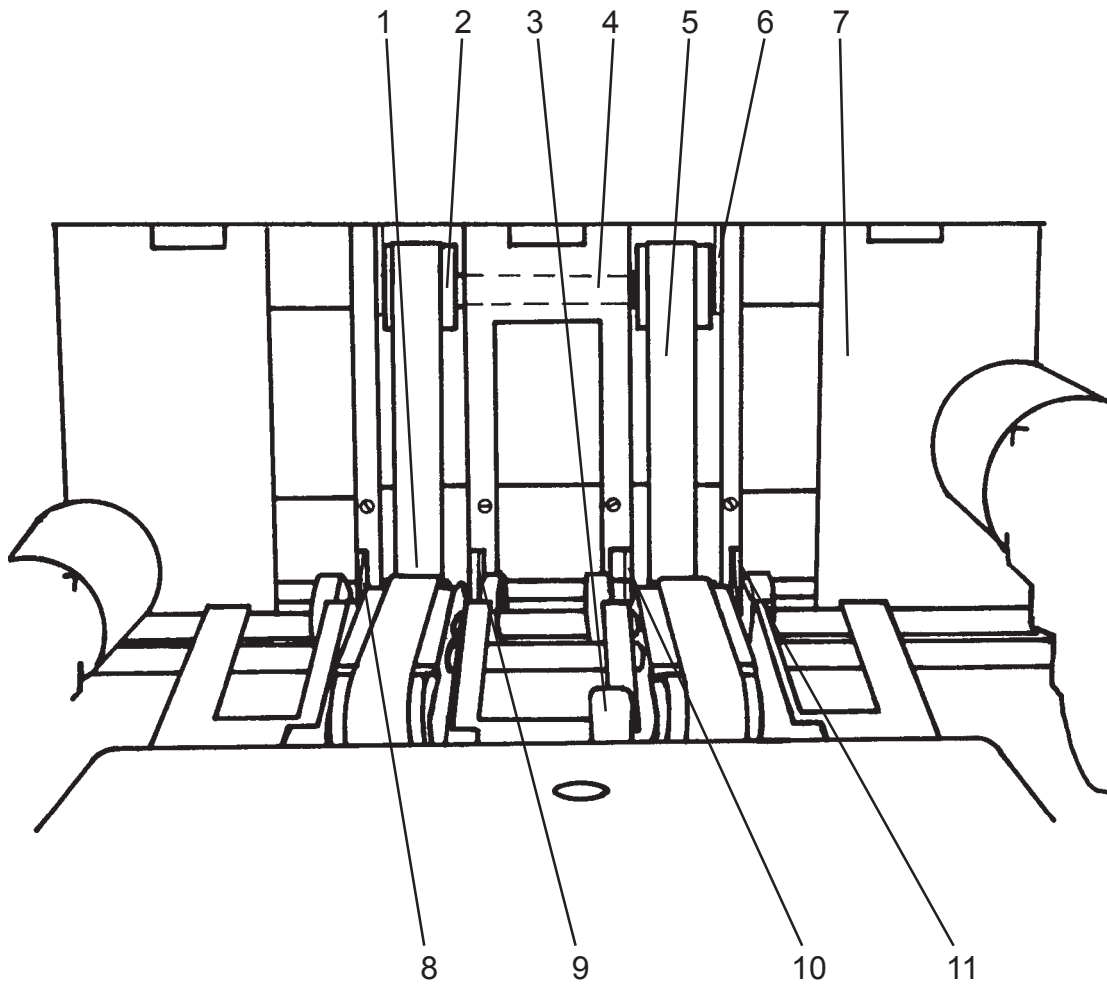
Item	Part no.	Qty.	Description	Note
1	NA	1	Lever shaft assy	Order upgrade kit 891105
2	NA	1	Drive shaft assy, infeed	Order upgrade kit 891105
3	891113	4	O-ring	
4	89601	1	Support shaft	
5	891041	1	Cam shaft assy.	
6	89544	2	Cam shaft housing	
7	12534	2	Bearing, below cam	
8	60827	2	Bearing	
	89548	2	Shaft for bearing	
9	891103	1	Lever shaft assy.	
10	891102	1	Drive shaft assy, infeed	
11	89923	8	Drive belt guide	Plastic
12	89911	4	Drive belt	
13	891104	2	Bearing assy.	Below drive belt



Upper outfeed belts

T07066

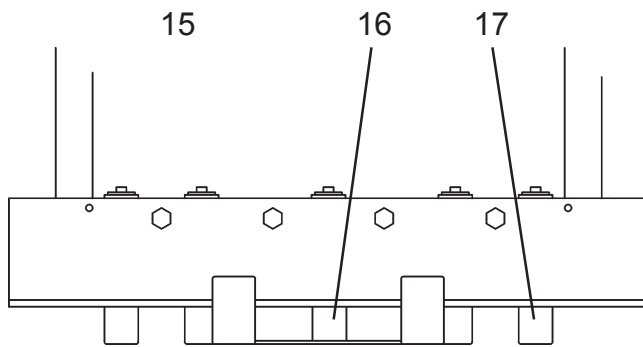
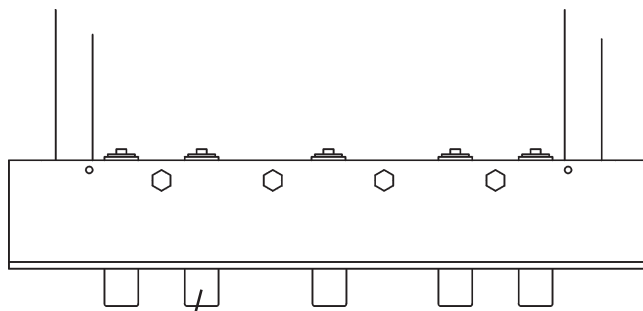
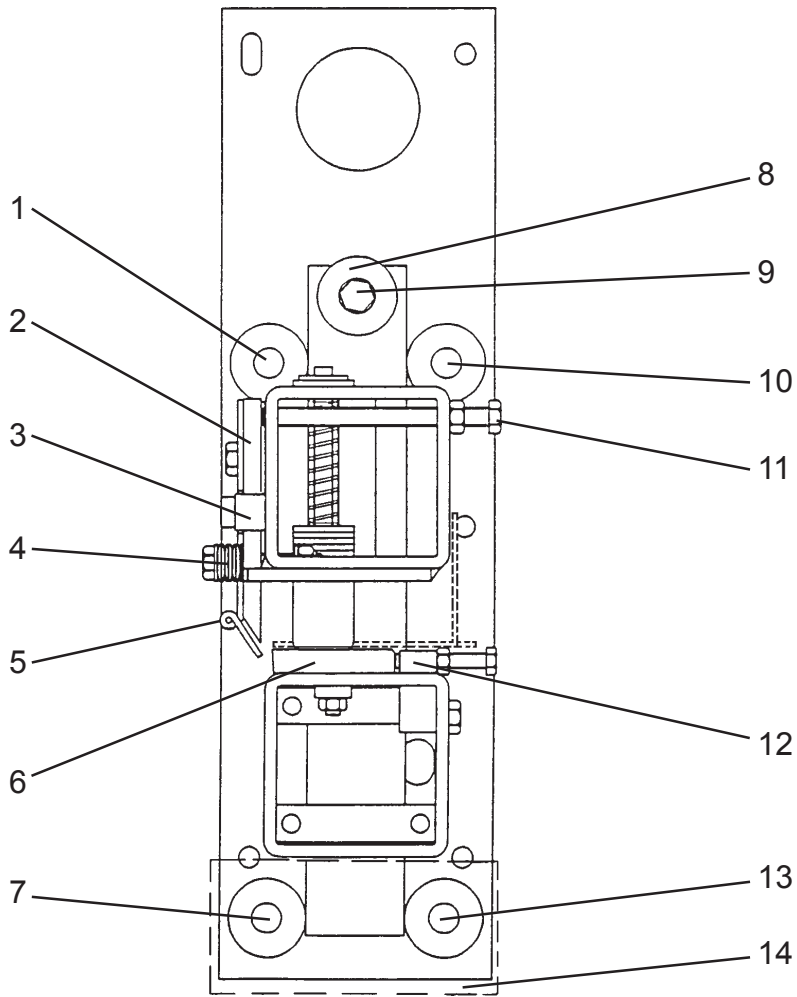
Item	Part no.	Qty.	Description	Note
1	88201	1	DC-motor	MOT 1
2	89563	1	Outfeed drive shaft, upper	
3	89721	2	Roller	
	89565	2	Shaft for roller	
4	89560	2	Drive roller	
5	89623	4	Outfeed roller	
6	89723	2	Linkage for transport belt	
7	89720	2	Belt, transport	
8	89609	6	Flange bushing	
9	89567	1	Shaft	
10	88201	1	DC-motor	MOT 2
11	89645	2	Guide for knife protector	
12	89886	1	Outfeed compressing bracket, rear	
13	89887	1	Outfeed compressing bracket, middle	
14	89885	1	Outfeed compressing bracket, front	



Lower outfeed belts

T07066

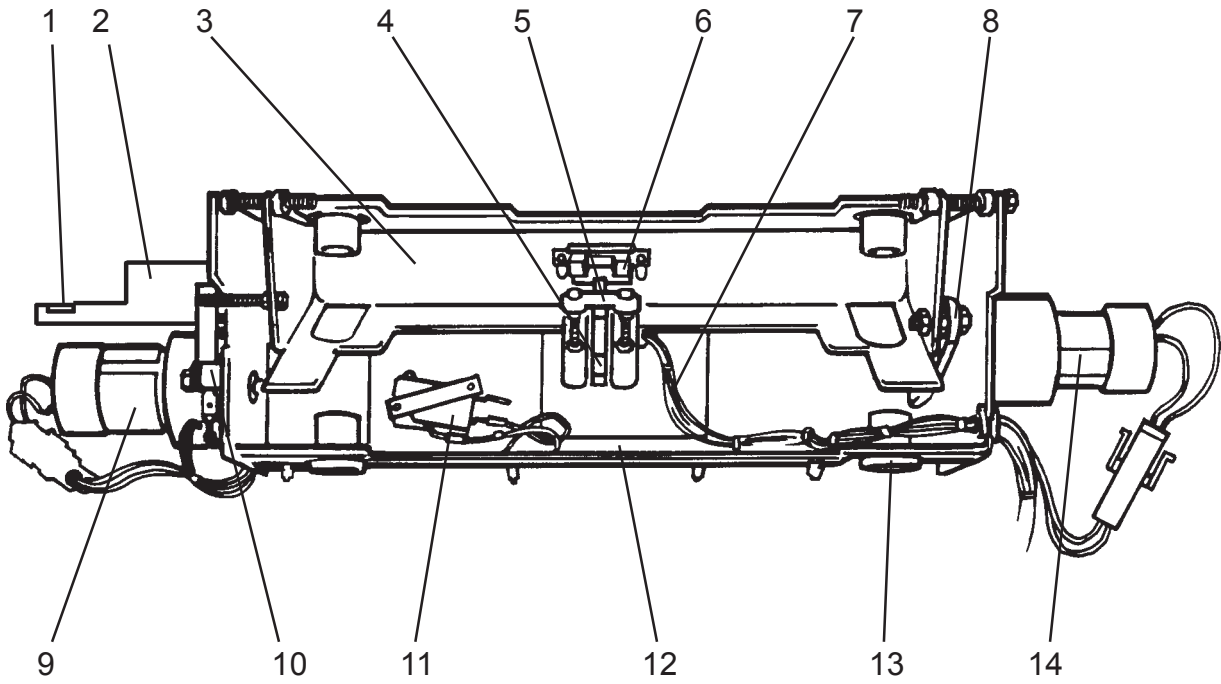
Item	Part no.	Qty.	Description	Note
1	89560	2	Drive roller	
2	89561	2	Roller	
3	89648	1	Latch	
4	89566	1	Shaft	
5	89595	2	Belt, transport	
6	891023	1	Rocker assy	
7	890109	1	Deck plate	Incl. Spring roller assy's
8	891022	1	Spring roller assy, 1	
9	891021	1	Spring roller assy, 2	
10	891020	1	Spring roller assy, 3	
11	891019	1	Spring roller assy, 4	



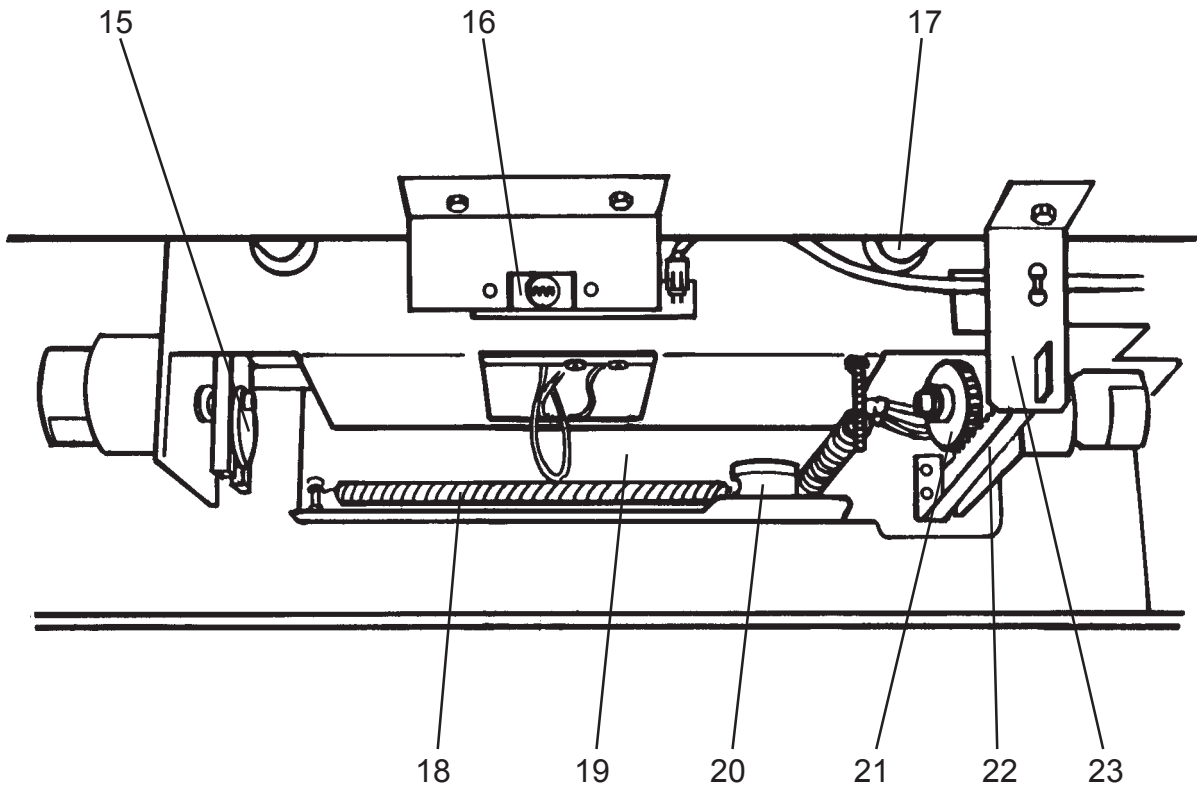
Knife assemblies

T07066

Item	Part no.	Qty.	Description	Note
1	891009	2	Upper bearing assy, fixed	
2	891062	1	Knife assy, upper	
3	89696	2	Guide pin	
4	89629	42	Cup spring washer	
5	890127	1	Knife protection plate assy	
6	891043	1	Knife assy, lower	Incl. 89631
	89631	2	Cup spring washer	
7	891004	2	Lower bearing assy, fixed	
8	60827	2	Bearing	
9	89548	2	Shaft	For bearing
10	891005	2	Upper bearing assy, eccentric	
11	89550	4	Adjustment screw	
12	89557	3	Stop for knife	
13	891006	2	Lower bearing assy, eccentric	
14	89603	2	Cover	
15	891002	5	Plunger assy	
16	891116	1	Plunger assy	With pressure plate
17	891002	4	Plunger assy	



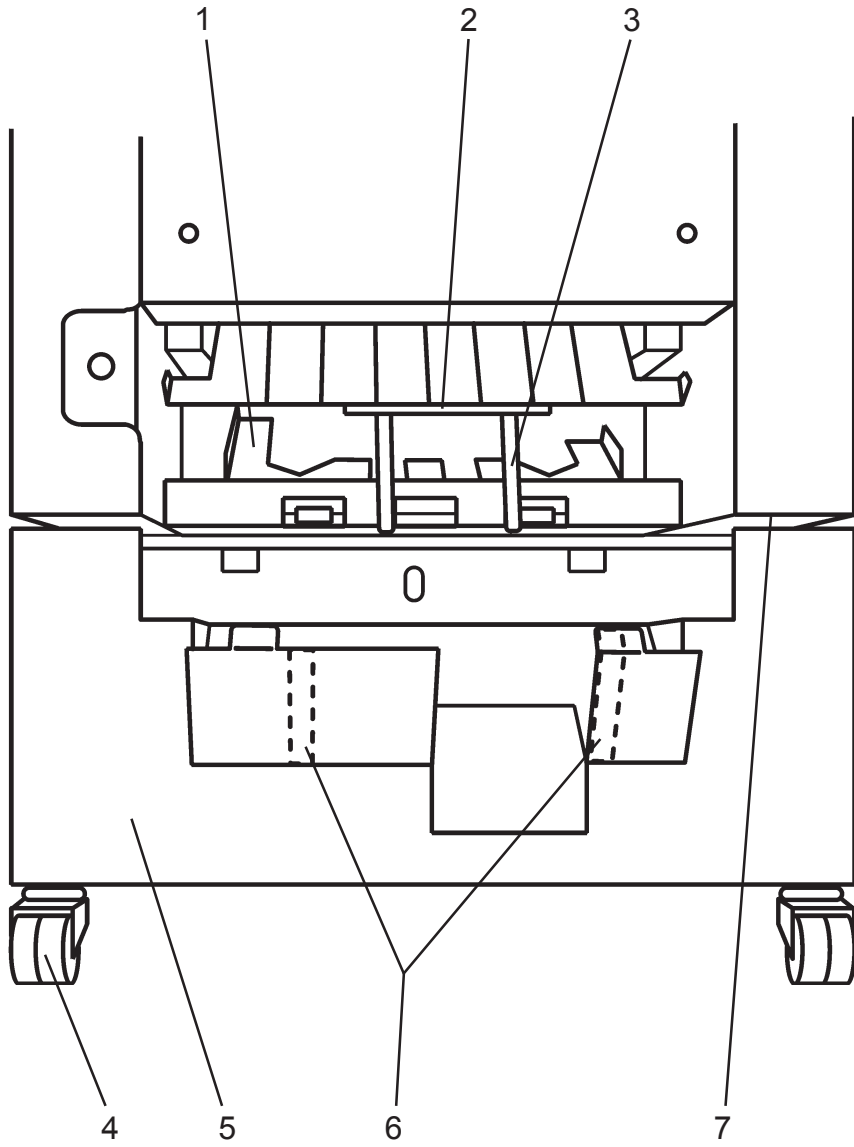
VIEW FROM INFEED SIDE



Trimmer stop carriage

T07066

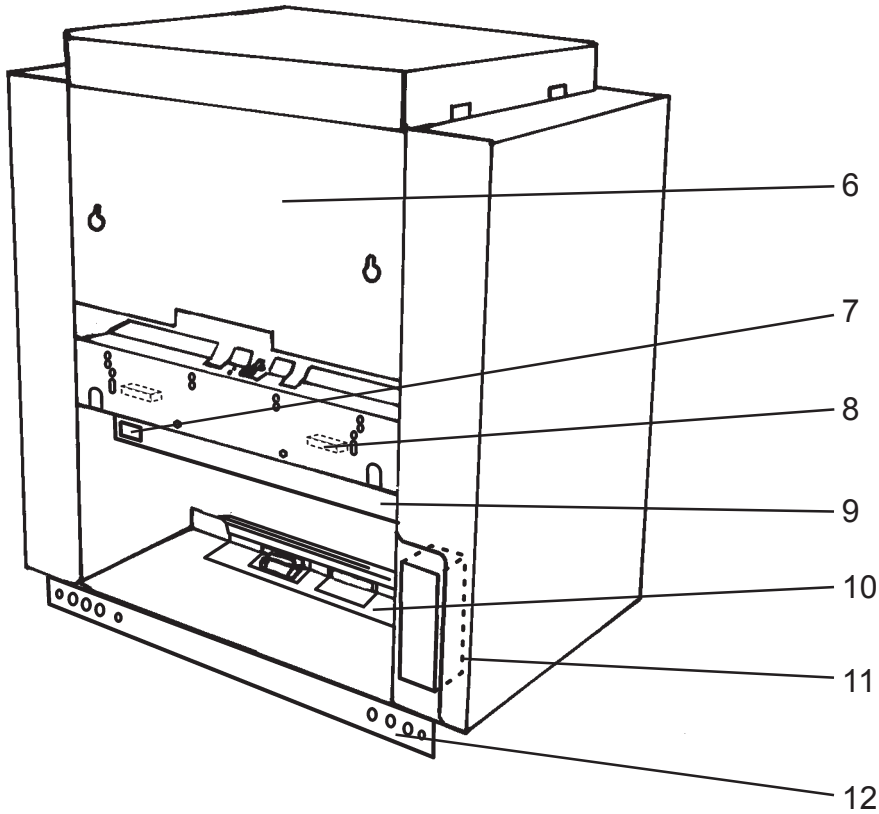
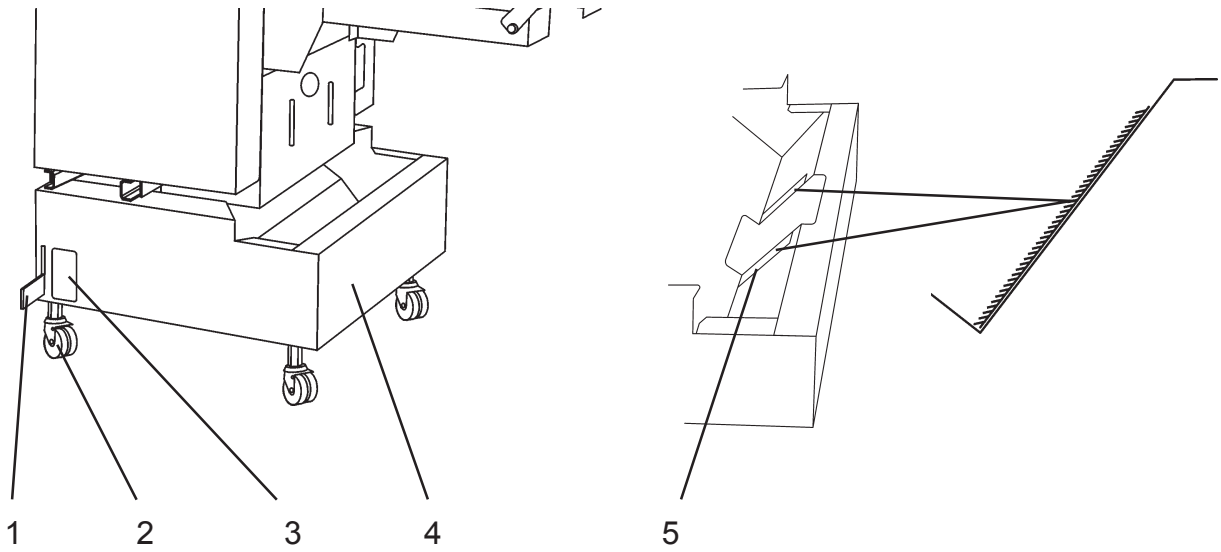
Item	Part no.	Qty.	Description	Note
1	89990	1	Adjustment plate	Model 103 and 1030 <i>if</i> tag 1
2	89537	1	Actuator	Model 83, 89 and 89-75 Model 103, 1030 <i>if not</i> tag 1
	89989	1	Actuator	Model 103, 1030 <i>if</i> tag 1
3	891111	1	Trimmer stop	
4	891121	1	Switch activator	
5	25570	1	Clamp	
6	24645	1	Slotted optical switch	SOS 10
7	890201	1	Harness for stop carrier	
8	89539	1	Crank arm	
9	891011	1	Positioning motor assy.	MOT 3
10	891044	1	Microswitch assy.	SW 4
11	60516	1	Microswitch	SW5
	88049	1	Nut plate	
12	89505	1	Stop carrier	
13	891045	4	Flange bushing assy.	
14	891010	1	Trimmer stop motor assy	MOT 4
15	89559	1	Crank pulley	
16	891055	1	Sensor PCB assy.	
17	89743	2	Stop carrier guides	
18	89630	1	Spring	
19	89748	1	Carrier assembly base bracket	
20	88116	1	Pulley	
	88118	1	Shaft for pulley	
21	89745	1	Gear	
22	89746	1	Gear rack	
23	89747	1	Gear rack bracket	



Model 83 and 89-75 parts only

T07066

Item	Part no.	Qty.	Description	Note
1	89040	1	Paper guide	Model 83
	89878	1	Paper guide	Model 89-75
2	89872	1	Bracket for plastic guides	Model 83 & 89-75
3	89875	2	Plastic guide	Model 83 & 89-75
	89872	2	Guide bracket	Model 83 & 89-75
4	88465	4	Castor	Model 83 & 89-75
5	890139	1	Base	Model 83 & 89-75 Incl. Item 4
6	89951	2	One way grass	Model 83 & 89-75
7	98053	4	Nut	Model 83
	89865	4	Nut	Model 89-75



Item	Part no.	Qty.	Description	Note
1	89935	1	Locking lever	Model 103, 1030
	97117	1	Washer, nylon	Model 103, 1030
2	891114	4	Castor	Model 103, 1030
3	89952	1	Locking lever label	Model 103, 1030
4	89930	1	Base	Model 103, 1030
5	89951	2	One way grass	Model 103, 1030
6	891115	1	Upper infeed cover	Model 103, 1030
7	87407	1	Power receptacle	Model 103, 1030
8	80652	2	Interlock switch, docking	Model 103, 1030
9	89946	1	Cover	Model 103, 1030
10	89936	1	Guide plate	Model 103, 1030
11	89970	1	Interface cable cover	Model 103, 1030
12	87475	2	Rail	Model 103, 1030
	14255	4	Shaft	Model 103, 1030
	60827	4	Bearing	Model 103, 1030