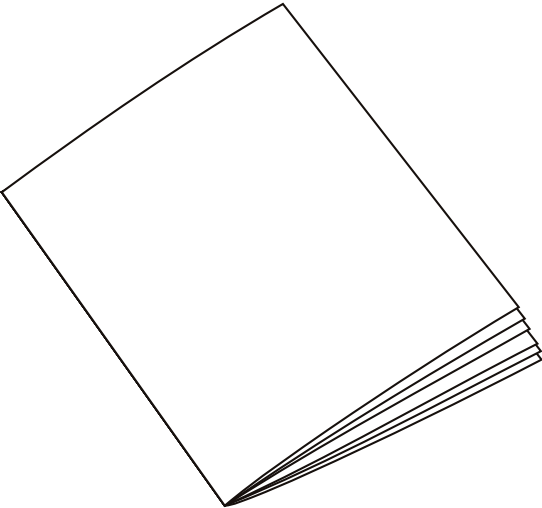
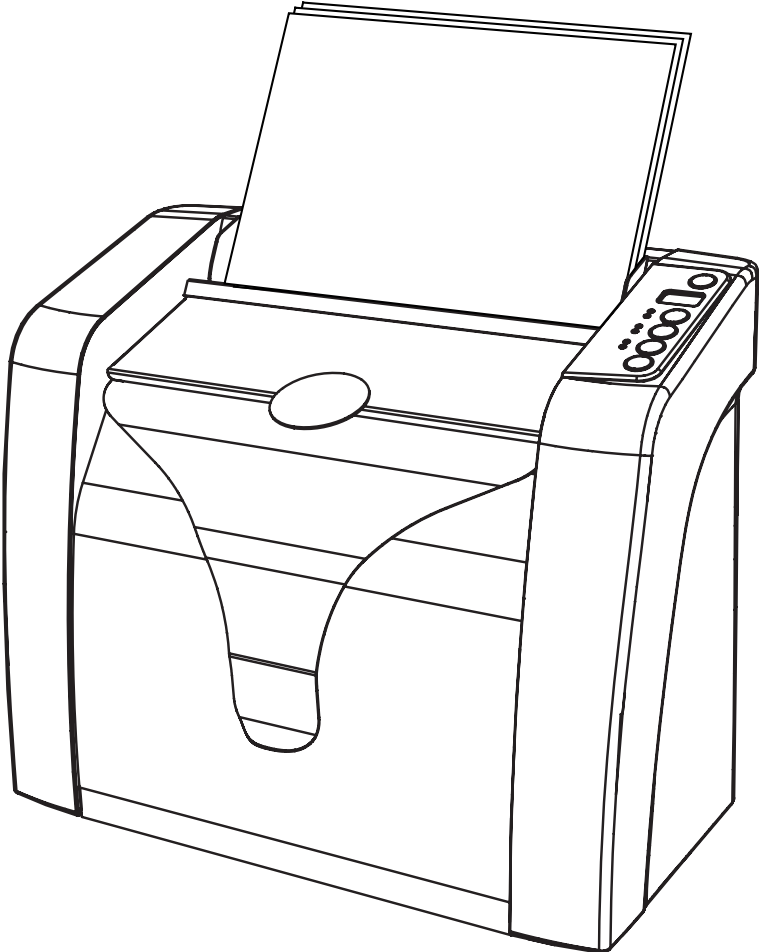
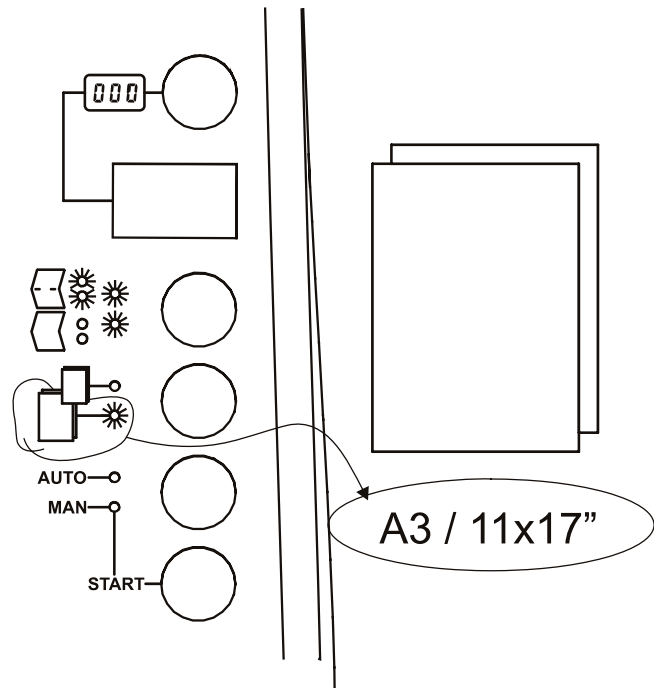
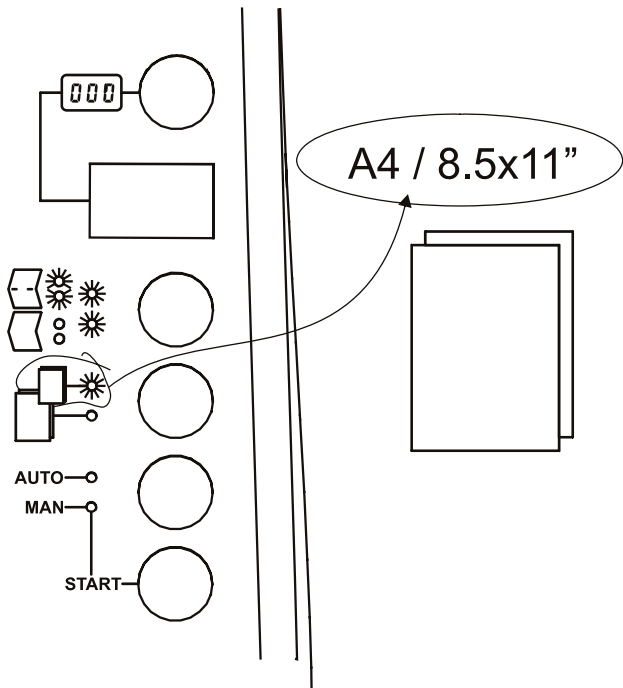
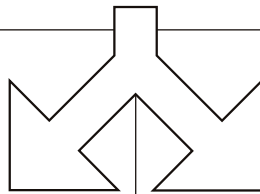
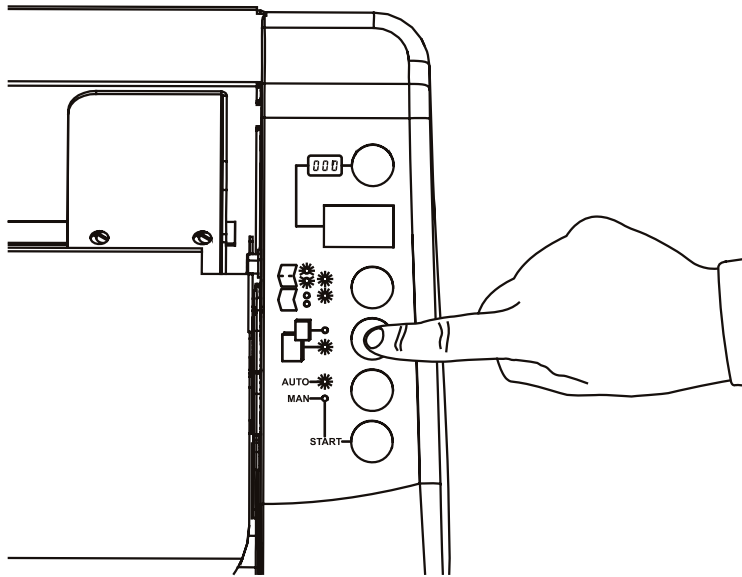


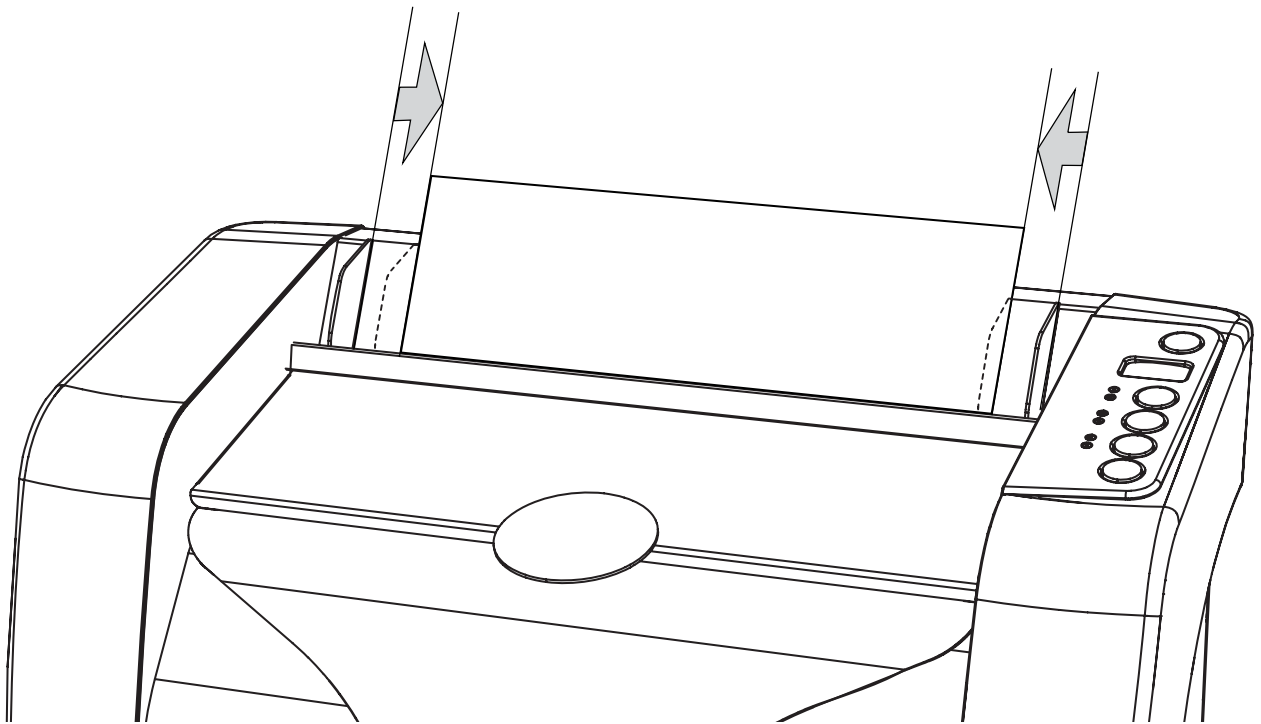
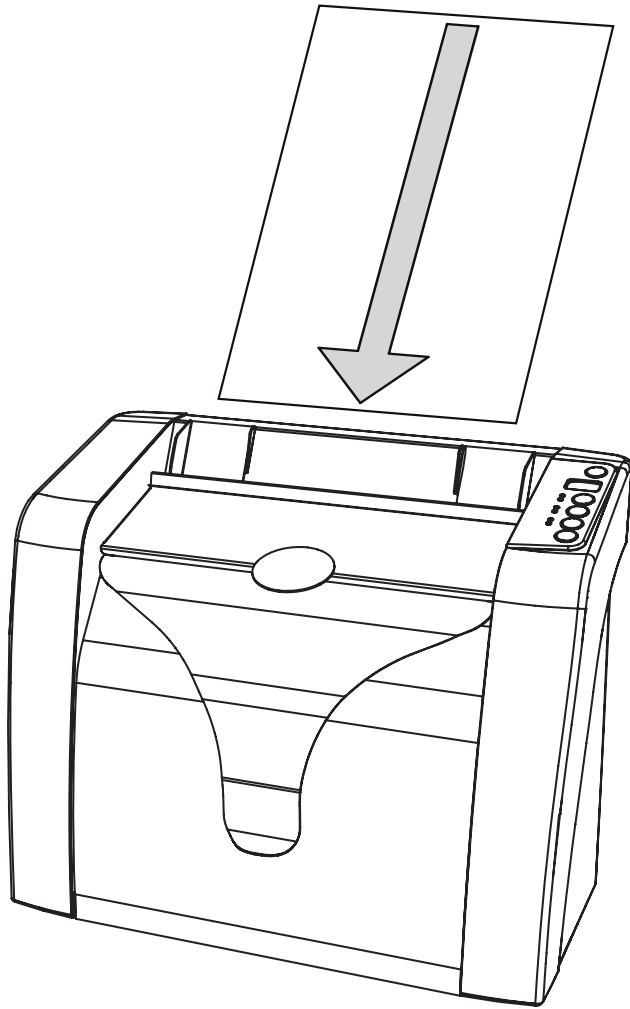
BOOKLET MAKER BM 15

Operator Manual

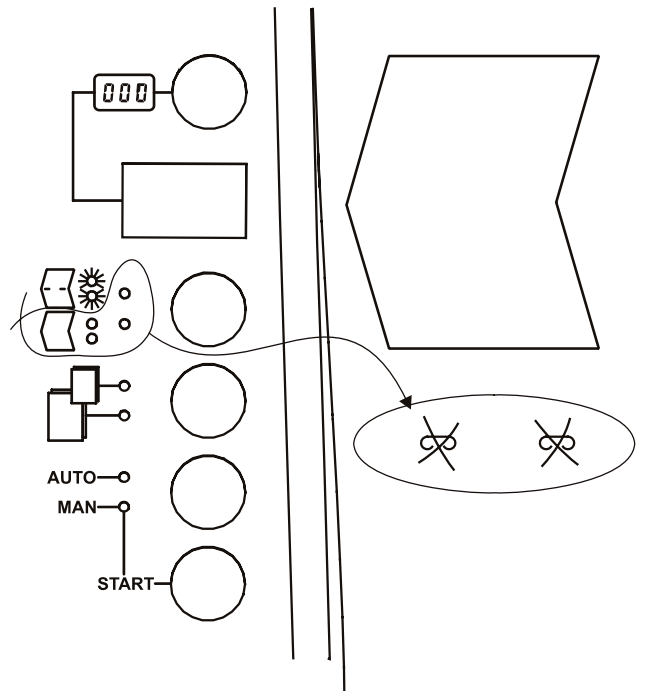
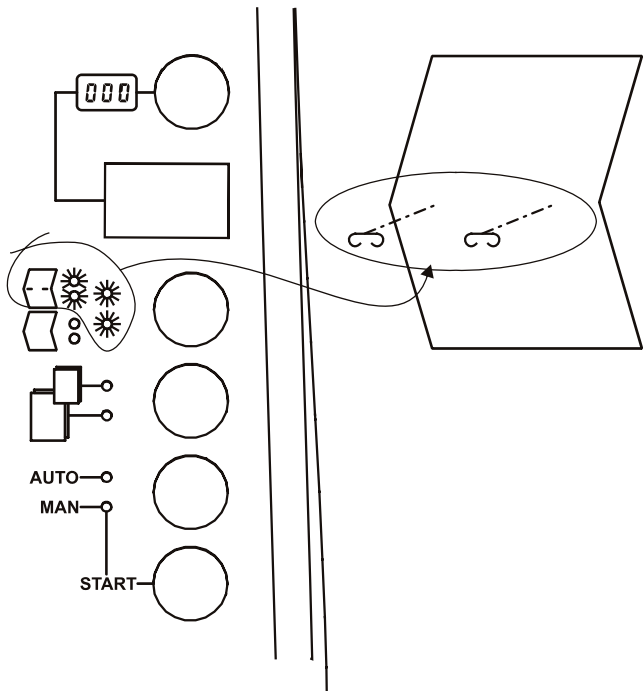
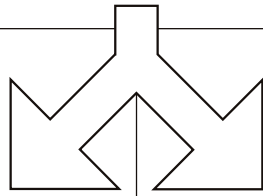
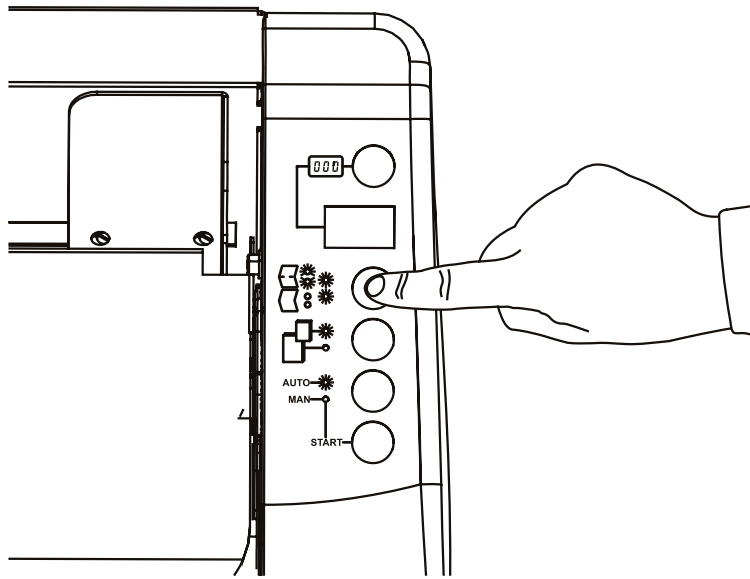


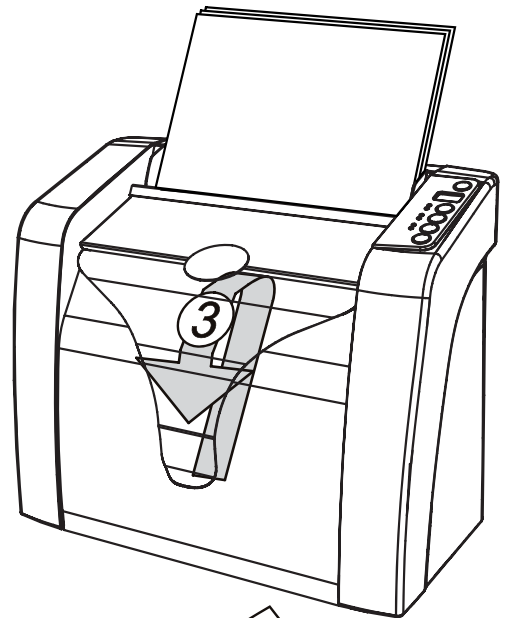
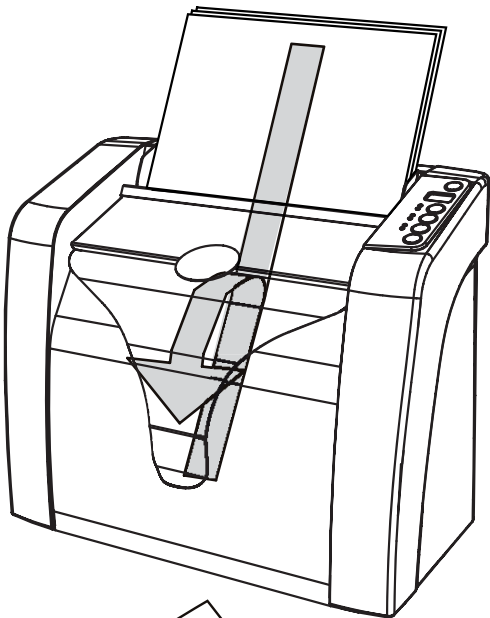
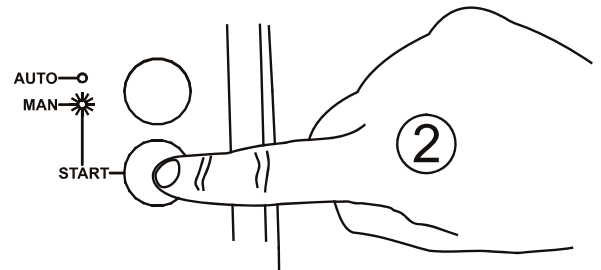
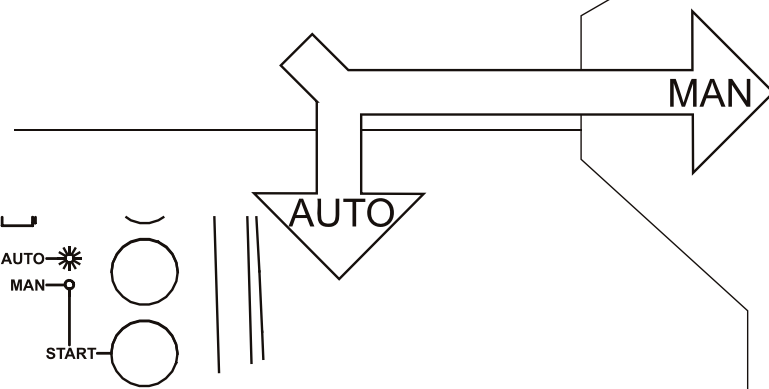
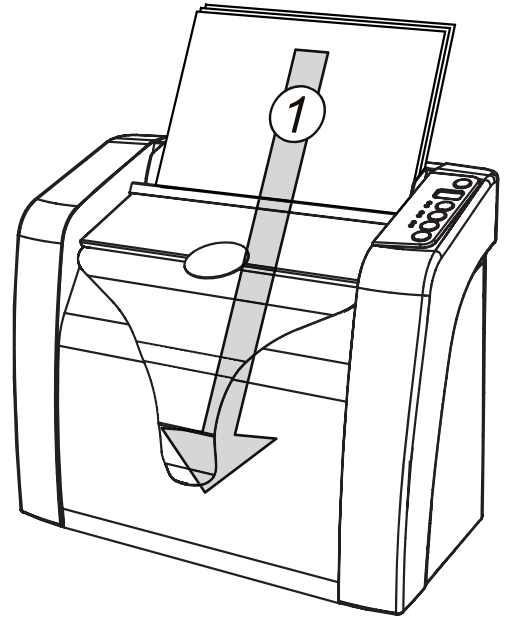
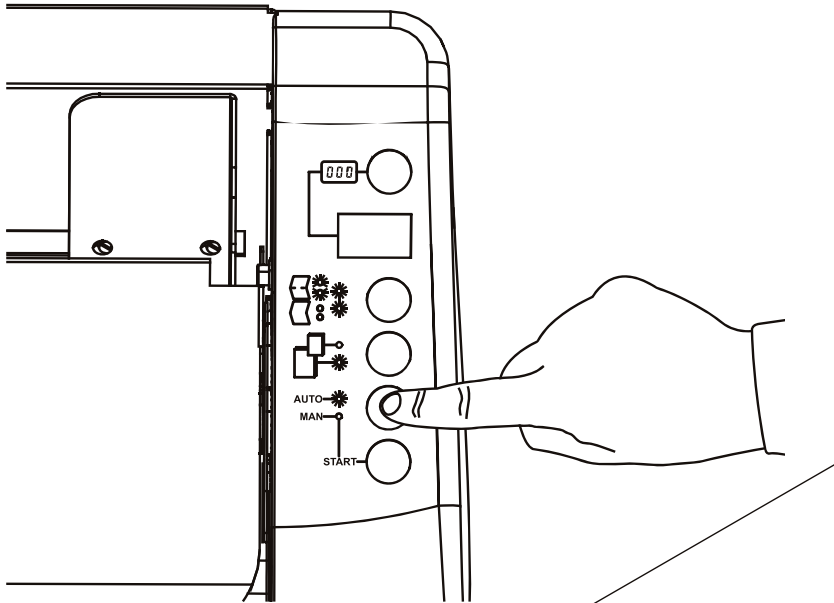
11 October 2006
Part no: 107-102306
Doc no: T10162

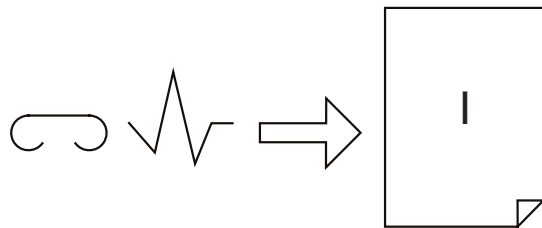
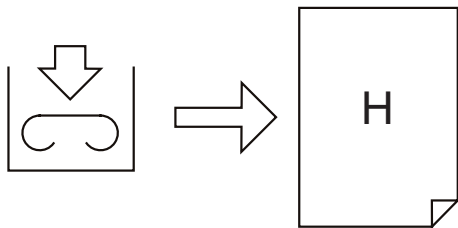
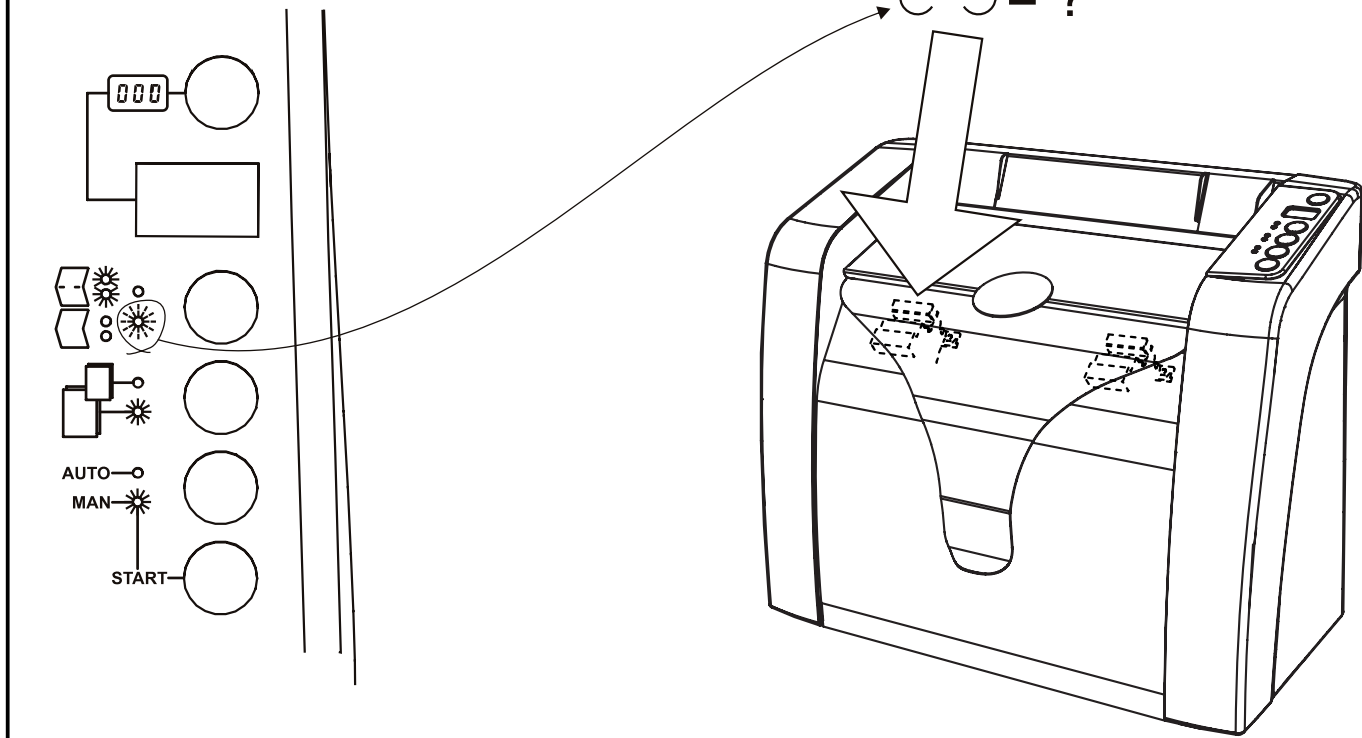
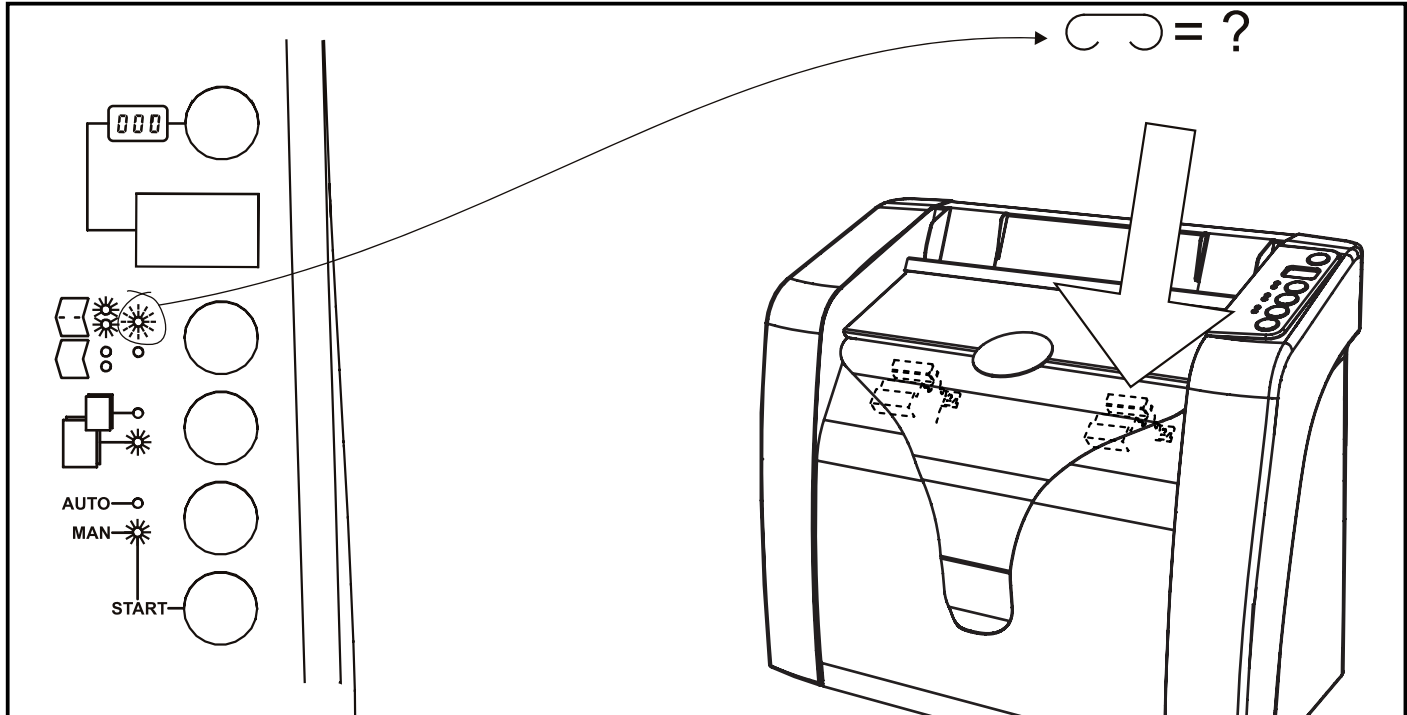


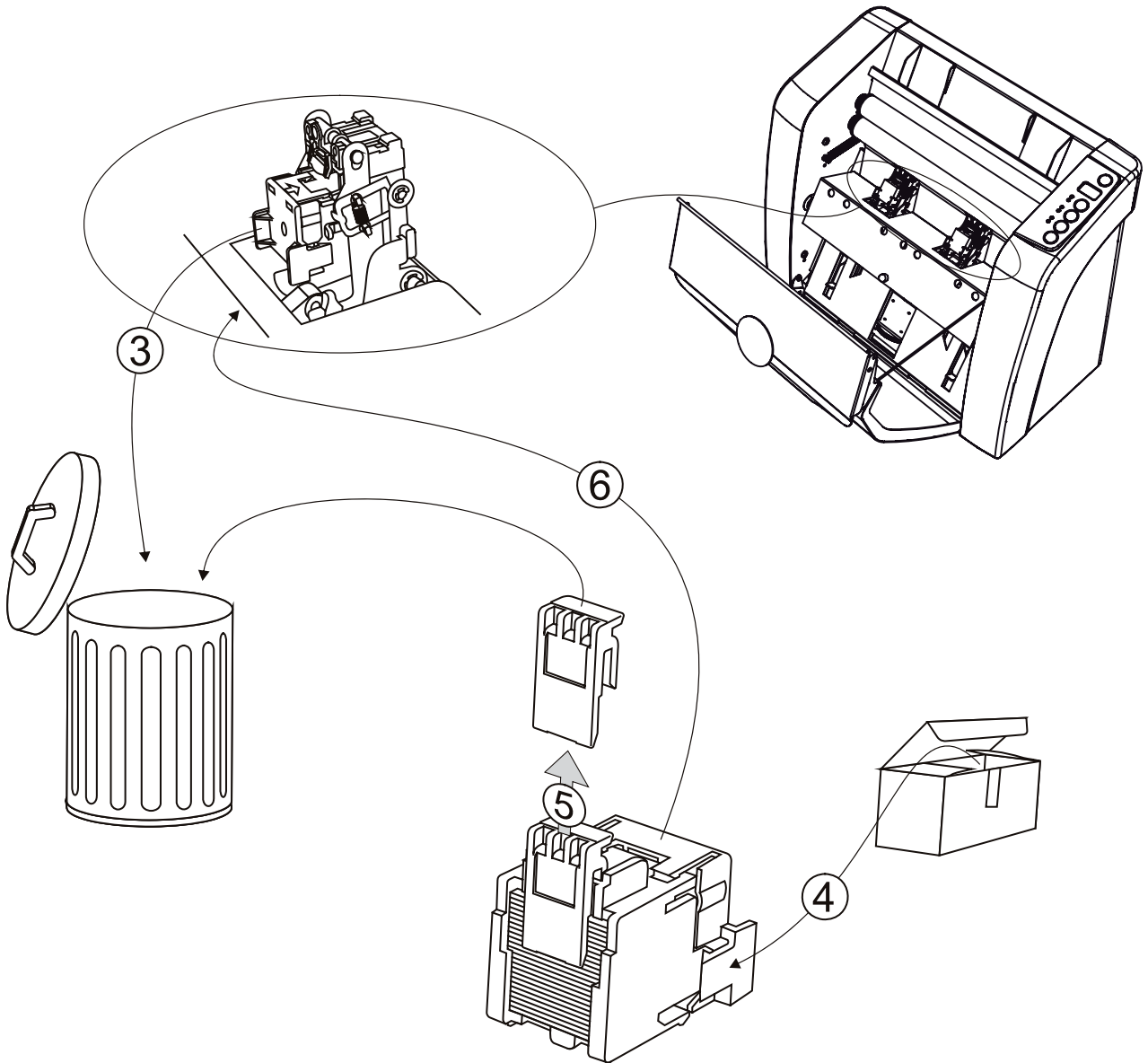
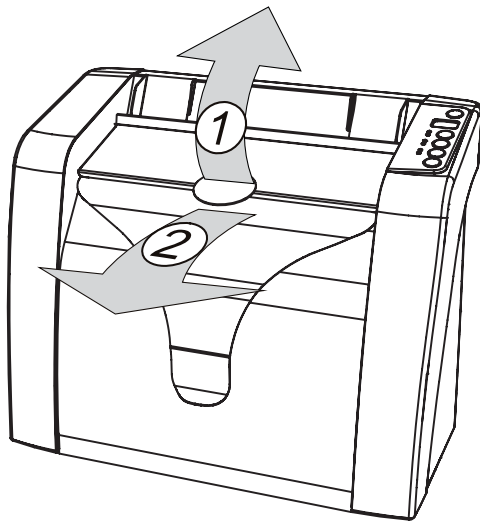
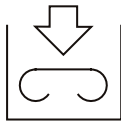


D









H

