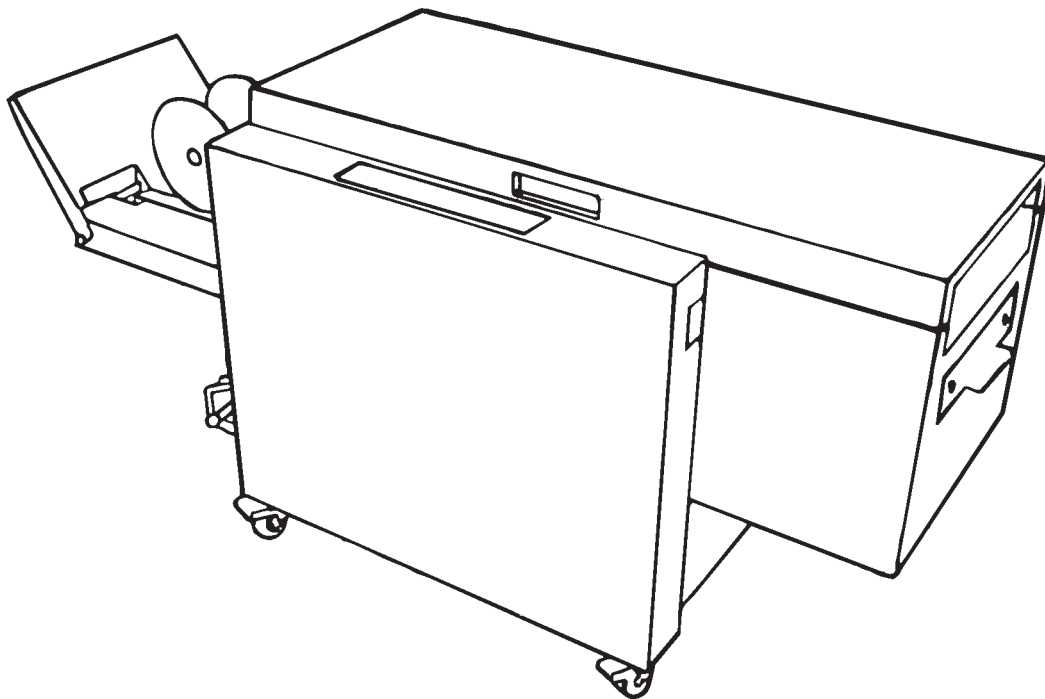

Stapler folder Model 88

Operator manual



March 1994
Part # 87181

Table of contents

1. Introduction

2. Getting to know the Model 88

- 2.1 Main components
- 2.2 Control panel
- 2.3 Belt stacker and fold stop area

3. Operator instruction

- 3.1 Switching on the Model 88 Power
- 3.2 Setting up the Model 88
- 3.3 Feeding and adjusting a test set
- 3.4 Making fine adjustments
- 3.5 Beginning the production
- 3.6 Restoring the factory set A3 or A4 program

4. Maintenance

- 4.1 Maintaining the Model 88

5. Specifications

1. Introduction

The Model 88 is an automatic stapler-folder for on-line operation to collator Models 300/400 or as a stand alone unit. The instruction describes the operation of the Model 88 and does not cover the installation to collator. That is described in the installation instruction p/no. 87155

Operational safety

Attention to the following notes ensures the continued safe operation of your equipment.

Always connect the equipment to a properly grounded power source receptacle. If in doubt, have the receptacle checked by a qualified electrician.

Warning Improper connection of the equipment grounding conductor can result in electrical shock.

Always follow all warnings marked on, or supplied with, the equipment.

Always locate the equipment on a solid support surface with adequate strength for the weight of the machine.

Never use a ground adaptor plug to connect the equipment to a power source receptacle that lacks a ground connection terminal.

Never attempt any maintenance function that is not specifically described in this documentation.

Never remove the covers or guards that are fastened with screws.

Never install the unit near a radiator or another heat source.

Never override or "cheat" electrical or mechanical interlock devices.

Never operate the equipment if you notice unusual noises or odors. Disconnect the power cord from the power source receptacle and call your customer service engineer to correct the problem.

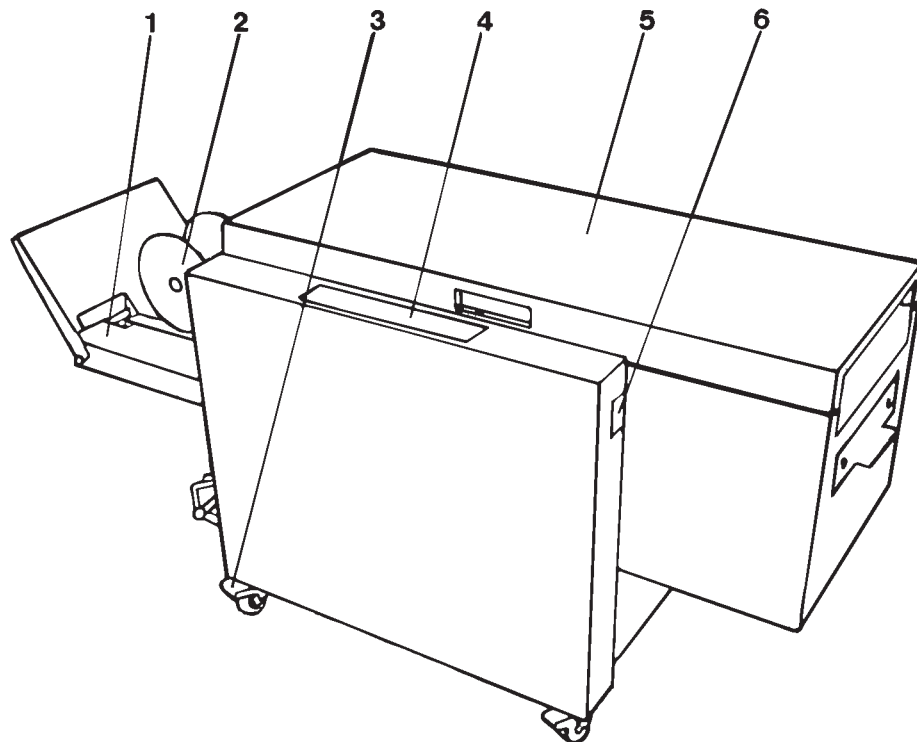
2. Getting to know the Model 88

The Model 88 can be quickly and easily connected to the collator Models 300/400 for automatic feed booklet making. The Model 88 also makes an ideal manual feed booklet maker.

The Model 88 is equipped with motor driven stapler heads (5000 staples per head), the anvils are of the clinch type, ensuring professional flat staples. In addition, the operation that fold the paper provide a sharp booklet fold.

Take a few minutes to get familiar with the main components of the Model 88.

2.1 Main components



1 Belt stacker

2 Set output wheel

3 Castor lock

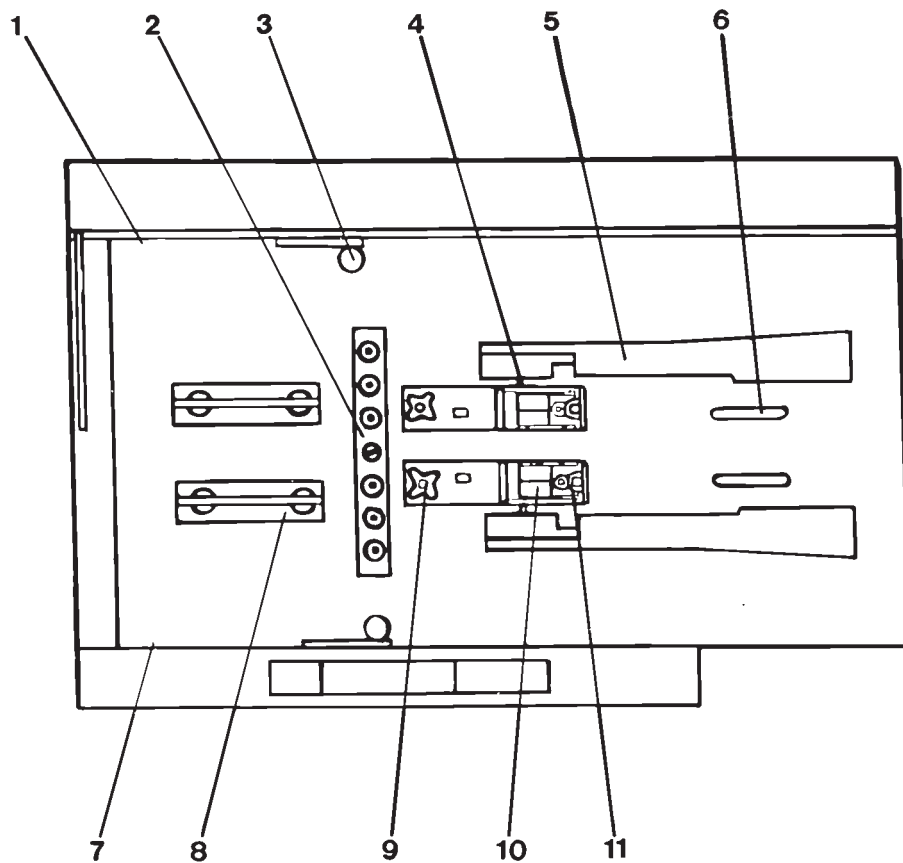
4 Control panel

5 Top cover

6 Power switch

Main components continues

The Model 88 interior has parts that you will come in contact with when making the fine adjustments to the booklet, or when performing maintenance. It has two counters that provide usage information for the customer.



1 Off-line counter

2 Staple stop

3 Fold adjust lever

4 Lock spring

5 Side jogger

6 Rear jogger

7 Total set counter

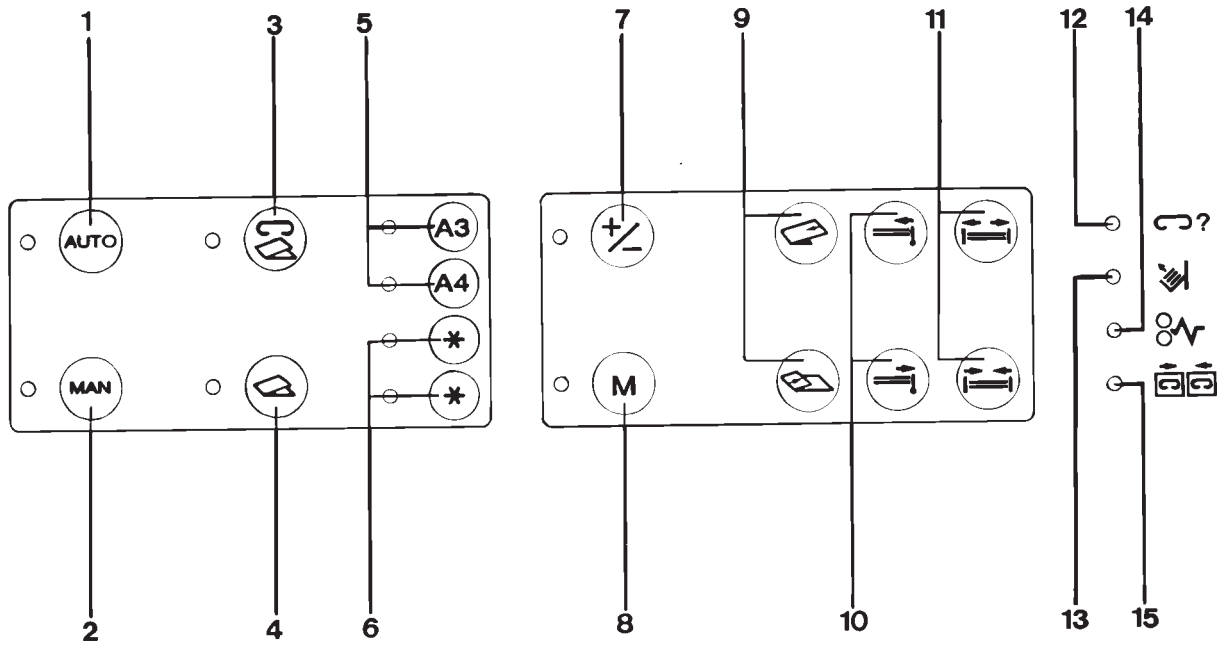
8 Paper guide

9 Thumb screw for stapler assembly

10 Staple cartridge

11 Stapler head

2.2 Control panel



1 Automatic set feed mode

2 Manual set feed mode

3 Fold and staple

4 Fold only

5 Factory programmed paper size

6 Customer programmable paper size

7 Programming access

8 Memory

9 Fold position

10 Rear jogger position

11 Side jogger position

12 Staple(s) missing

13 Stacker full indicator

14 Set jam indicator

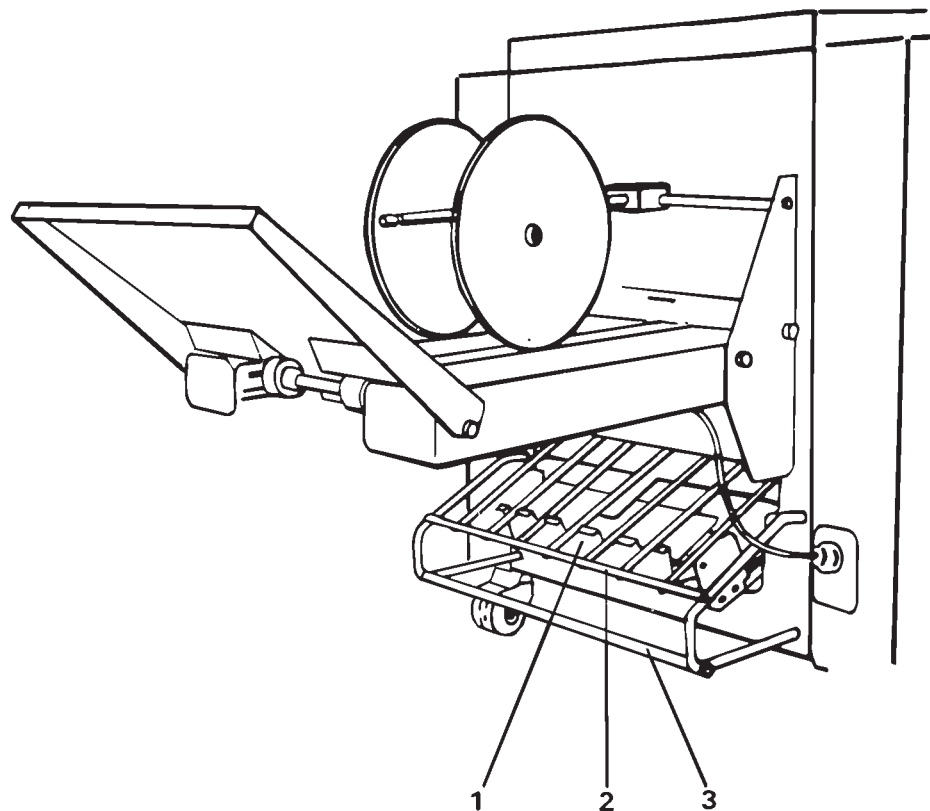
15 Staplers or side jogger incorrectly positioned indicator

2.3 Belt stacker and fold stop area

The function of the belt stacker is the same whether the feed is automatic or manual.

The back of the belt stacker is normally angled upward (about 15 degrees to horizontal), but can be lowered to allow booklets to drop into a carton.

The output wheels are positioned in the innermost notch for A4 (and similar sizes), in the middle notch for A3 (and similar sizes), and the outermost notch for storage.



1 Fold stop

2 Grate

3 Guard

3. Operator instruction

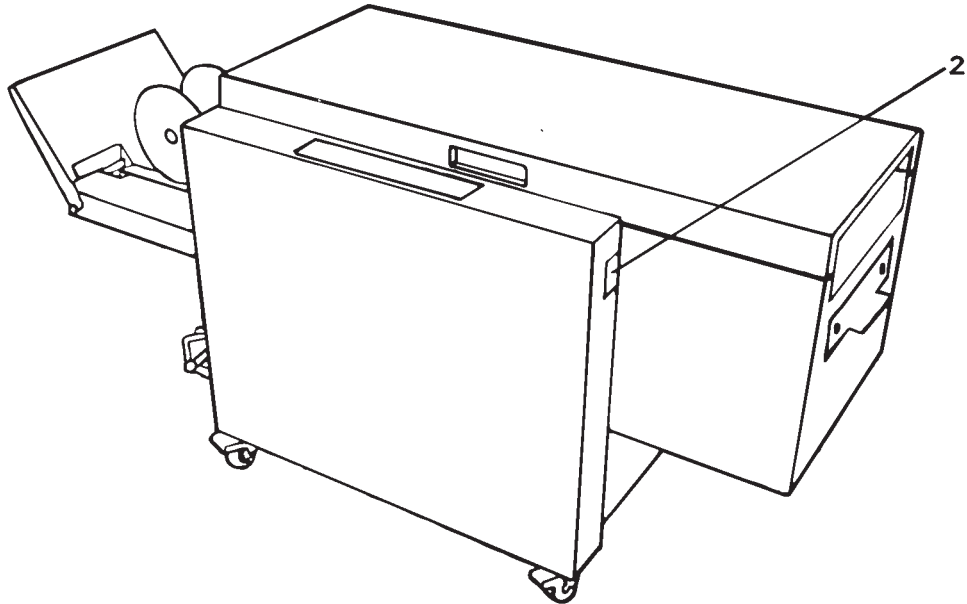
3.1 Switching on the Model 88 power

This chapter explains the operations for making the booklets, whether the Model 88 is in automatic or manual mode.

Following steps apply to both automatic and manual feed.

1 Plug the Model 88 into the wall outlet.

2 Set ON/OFF switch to ON position.



3 Wait until there is steady illumination of the paper size indicator. If you previously used the Model 88, the paper size that was last used will illuminate.

3.2 Setting up the Model 88

This section explains how to set up the Model 88 and do a test run. After the test run you can do fine adjustments of the settings, if necessary. When you are satisfied with the test run you can begin production.

Select a paper feed mode

1 If you are making booklets automatically, press the AUTO button.



NOTE: Make sure the Model 88 is correctly positioned to the collator Models 300/400. For A4 sized paper push the Model 88 gently backwards as far as the positioning guide allows. For A3 sized paper pull the Model 88 gently forward (towards the operator) as far as the positioning guide allows.

2 Or, if you are making booklets manually, press the MANUAL button.



Select the form of the booklet

You can select fold and staple, or fold only for your booklets.

3 Press this button for stapled booklets.



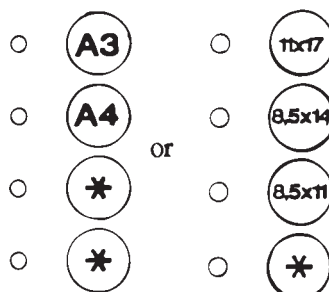
4 Or, press this button for folded unstapled booklets.



Select a paper size program

For your convenience, the A3 and A4 (8,5"x11"/8,5x14"/11"x17") paper size programs were factory set with appropriate jogging, staple position and fold line position. The jogging, staple position and the fold line position may need fine adjustments depending on the type of paper used. Fine adjustments will be explained later.

5 Press one of the paper size buttons.



The A3 button for 297x420mm.
The A4 button for 297x210mm.
The * button for customized size.

Position the output wheel in the middle notch.
Position the output wheel at the innermost notch.
Position the set output wheel as appropriate.

6 Go to section 3.3 Feeding and adjusting a test set.

3.3 Feeding and adjusting a test set

The first time you use the Model 88, or when you change to a different paper size program, you run one test set and make necessary adjustments before you begin production.

You can use automatic feed from the collator into the Model 88 or manual feed.

Coarse adjustment

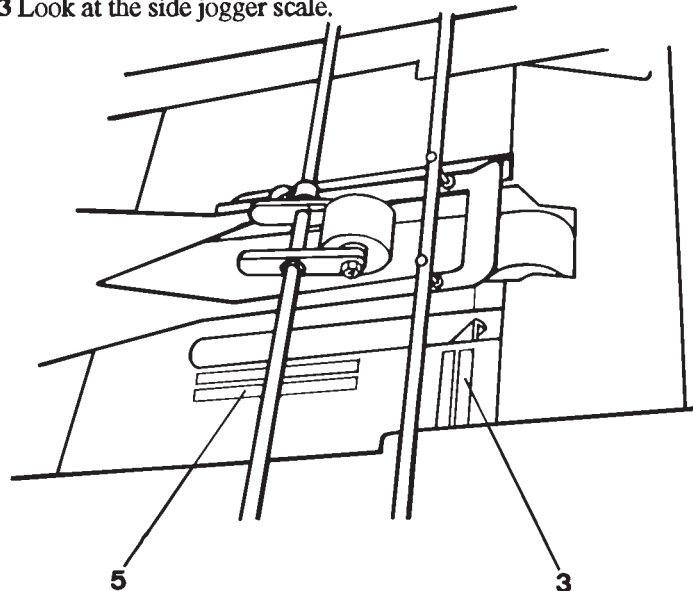
You have already selected either automatic or manual operation, with or without staples, and paper size program.

1 Press the program access button.



2 Open the cover.

3 Look at the side jogger scale.



4 Press and hold the side jogger button to set the side joggers to the jogger scale position. The space between the joggers should be able to accommodate the test set.



5 Look at the staple/fold line scale.

6 Press and hold the rear jogger button until the rear jogger reaches the position on the staple/ fold line scale for the test set.
(Manually lift jogger arms)



Feeding and adjusting the test set continues

7 Press the fold adjustment button to move the staple stop all the way to the outfeed end.



8 Close the top cover.

9 Feed one set of the chosen paper size into the model 88. (The machine will repeatedly make a jogg cycle)

10 Open the top cover.

11 Press and hold the staple stop adjustment button until the trail edge of the set reaches the paper size mark on the staple fold/line scale.



12 Press the side jogger button until the set begins to buckle.



13 Press and hold the rear jogger button until the rear jogger touches the test set.



14 Press the program memory button. The position of all adjustments are entered into the program memory.



15 Close the top cover. The paper set moves to the belt stacker.

3.4 Making fine adjustments







This section shows you how to make fine adjustments of the booklet. The test run has just been completed and the Model 88 is switched ON. Your selection for paper size program is still in effect.

1 Press the program access button.



2 Feed one set.

3 Open the top cover.

PROBLEM	CORRECTION	BUTTON
The side edges of the sheets are not even.	Move the side joggers closer.	
The side edges of the sheets are deformed.	Move the side joggers apart.	
The bottom sheets in the set is not even.	Move the rear jogger closer to the set.	
The cover or back of the booklet is damaged.	Move the rear jogger away from the set.	
The fold is not centered, the top of the booklet is too short.	Set the fold stop higher. The rear jogger must be readjusted after you adjust the fold position.	
The fold is not centered the top of the booklet is too long.	Set the fold stop lower. The rear jogger must be readjusted after you adjust the fold position.	

4 Press the memory button on the Model 88.



5 Close the top cover. The booklet moves to the set output tray.

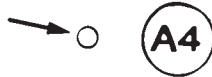
6 Check the booklet. If it is still not good, repeat the fine adjustment. Otherwise go to section 3.5 Beginning the production.

3.5 Beginning the production

This section shows you how to begin production. You have run a test set and made necessary adjustments. The Model 88 is switched ON.

Automatic operation

1 Verify that the indicator light, associated with the paper size button that you selected, is on.



2 Start your collator. The sets are automatically fed into the Model 88 and the booklets appear on the belt stacker.

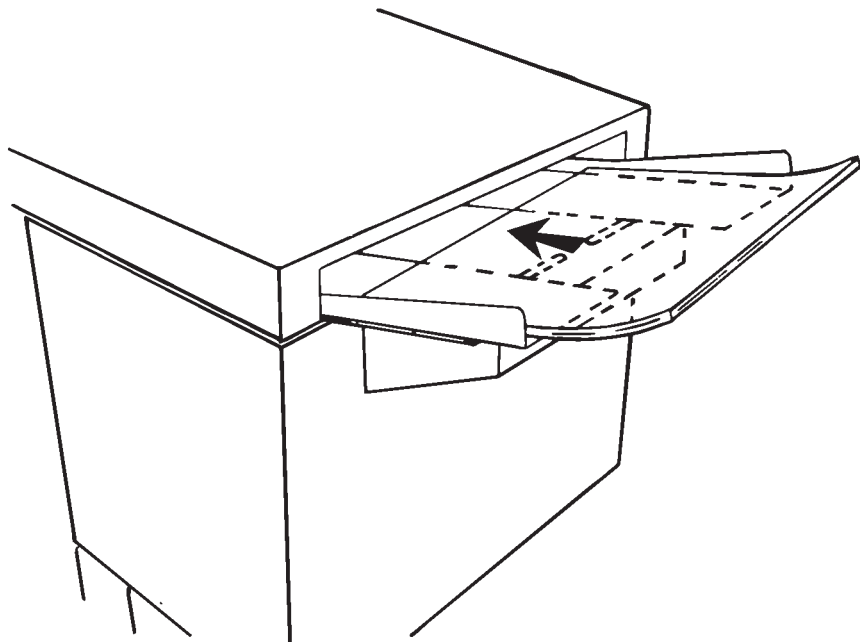
NOTE: After a successful booklet production, if you change the paper size or weight, you may need to go back to section 3.3 Feeding and adjusting a test set.

Manual operation

1 Verify that the indicator light, associated with the paper size button that you selected is on.



2 Hand feed each set using the Manual Feed Tray, according to the drawing below.





3.6 Restoring the factory set A3 or A4 program

This section shows you how to restore the factory set program. You might want to do this after you made fine adjustments of the A3 or A4 program but no longer need those adjustments.

Select a pre-programmed button

1 Press the button for which you wish to restore the factory program. It takes a minute to reset itself if you have been using a different paper size program.

-  A3
-  A4

Restore the factory set program

2 Press and hold the same button as you chose in step 1 until the indicator light goes off and then comes back on. The adjustments are now cleared from memory and the factory set program is restored.

4. Maintenance

This chapter explains how to do routine maintenance of the Model 88.

4.1 Maintaining the Model 88

Maintenance of the Model 88 consists of the removal and replacement of the stapler head and the staple cartridge, and the lubrication of the parts associated with the staplers and joggers. The steps for how to do this are given next.

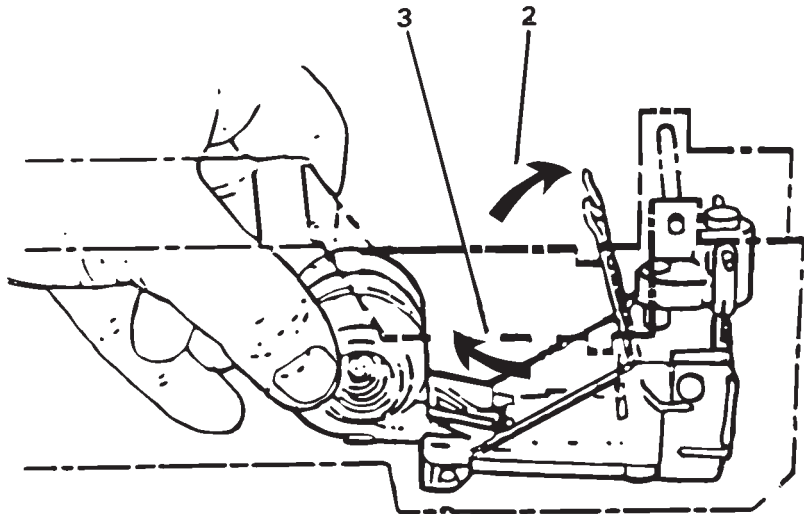
Removal/replacement of the staple cartridge

You may remove and replace the staple cartridge while the stapler head assembly is in place.

1 Open the top cover.

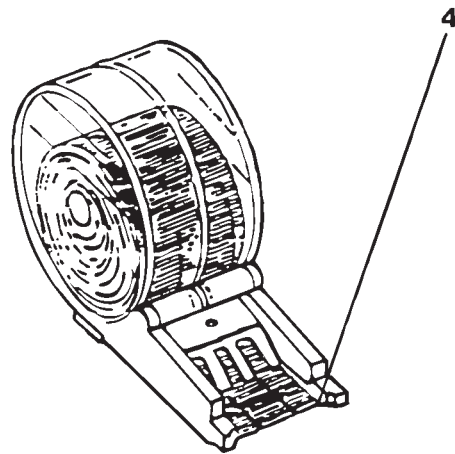
2 Raise the staple cartridge locking lever as indicated in the drawing below.

3 Gently twist the staple cartridge from side to side, and pull out the staple cartridge from the stapler head.

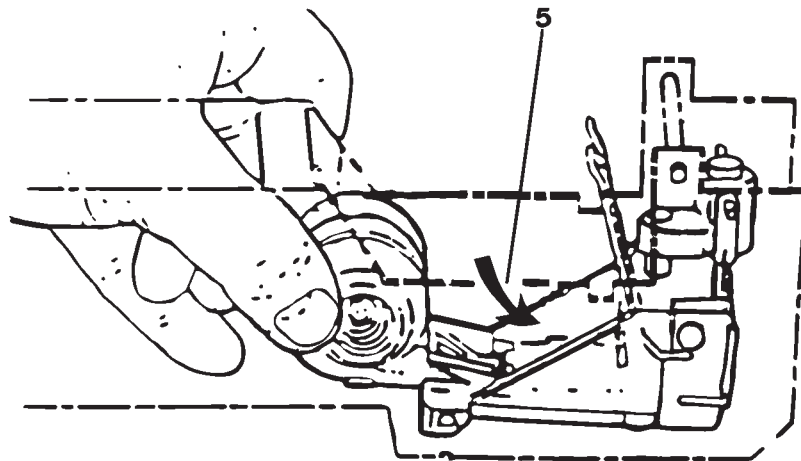


Maintaining the Model 88 continues

4 If the staple cartridge is empty, discard it and replace it with a new one. Before replacing the cartridge, pull 20mm of the staples out and tear off at the staple tear line which is marked on the cartridge. If there has been a misfeed, and the cartridge still contains staples, pull 20mm of staples out of the cartridge and tear off at the stapler tear line. Check that the first staple is flat. If not, tear off another 20mm, using less force.



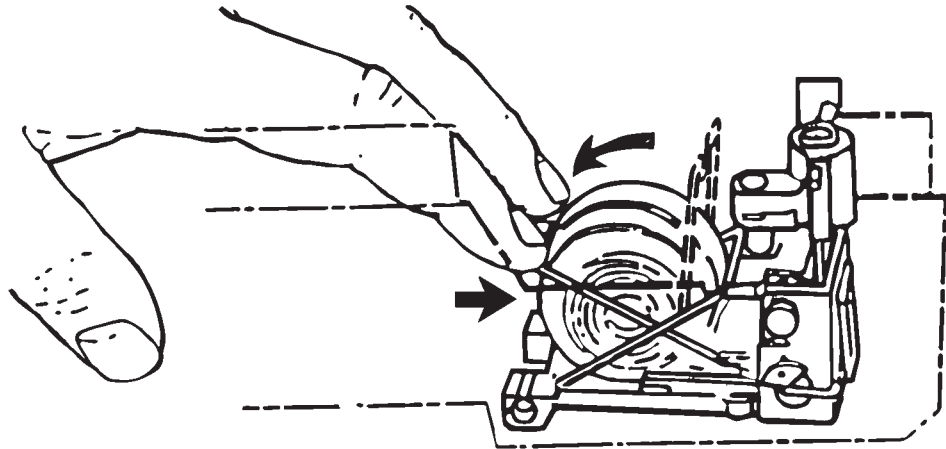
5 Insert the cartridge into the stapler head with the staples facing towards the head mechanism. The cartridge should be placed flat on the metal slide on the bottom of the stapler head and pushed firmly into the stapler head.



6 Hold the staple cartridge firmly in place and push down the cartridge locking lever.

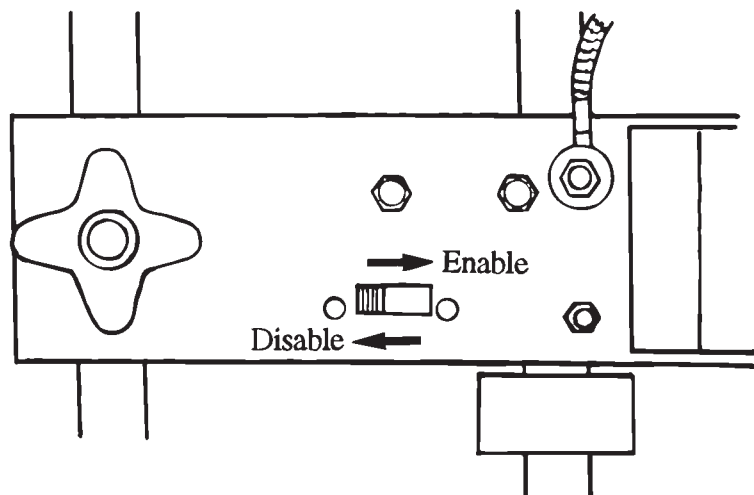
NOTE: If the cartridge is allowed to move away from the stapler head before the locking lever is engaged, remove cartridge and tear off 20mm of staples level with the staple tear line.

Maintaining the Model 88 continues



NOTE: The staples will not be fed until a few booklets have passed through the Model 88.

7 Move the staple detection switch to the disable position to prevent the Model 88 from shutting down when it detects missing staples in the first few booklets. Reset the staple detection switch to normal position to enable future staple misfeed indications, after checking that there are two staples in the booklet.



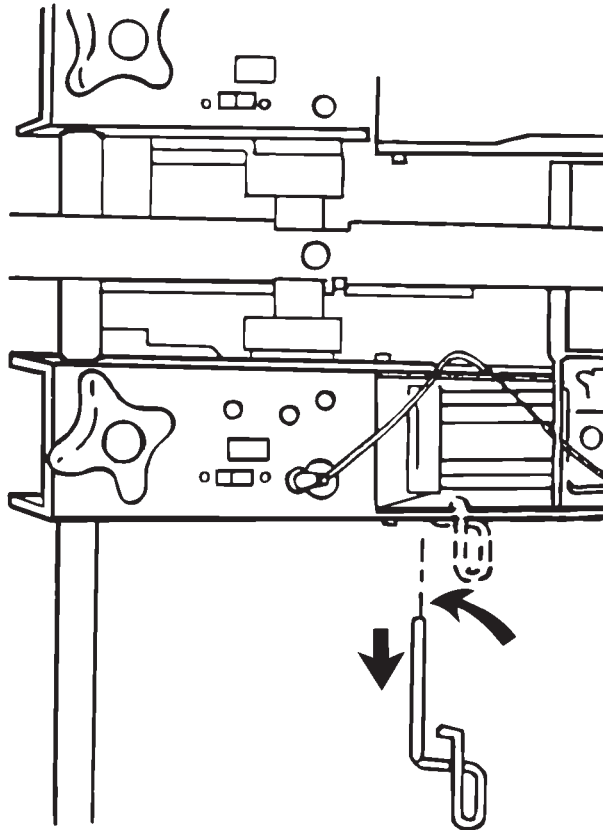
8 Continue production.

Maintaining the Model 88 continues

Removal/replacement of the stapler head

1 Select the A3 (11" x 17") position to ensure that the side joggers are away from the stapler head.

2 Rotate the lock spring towards the thumbscrews and withdraw the lock spring from the stapler head assembly.



3 Disconnect the red wire. Push the stapler head towards the infeed side, out of the stapler head assembly.

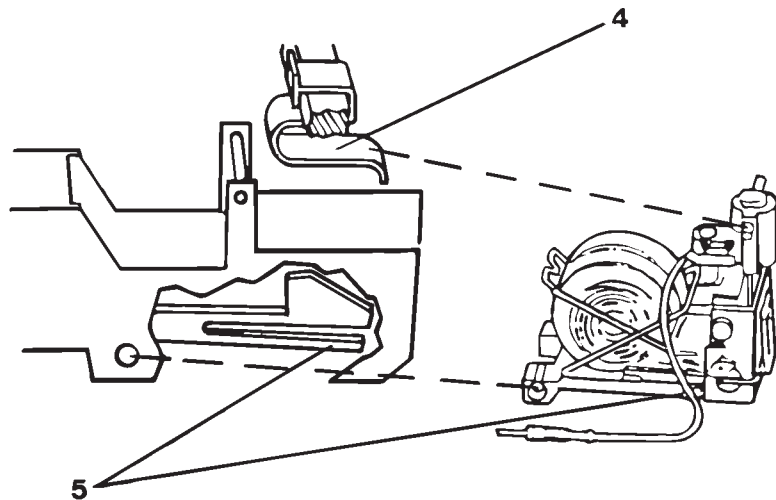
NOTE: Whenever you remove a stapler head, be sure to manually eject some staples before replacing it in the Model 88. To do this, rest the stapler head on a firm surface (for example, the top of a table or the Model 88) and actuate the stapler up/down through full travel. Do this a number of times to ensure that the staples are ejected on each down movement. (If you need to change the staple cartridge, see previous section, removal/replacement of staple cartridge.)

WARNING: When manually ejecting the stapler, stay clear from stapler output area.

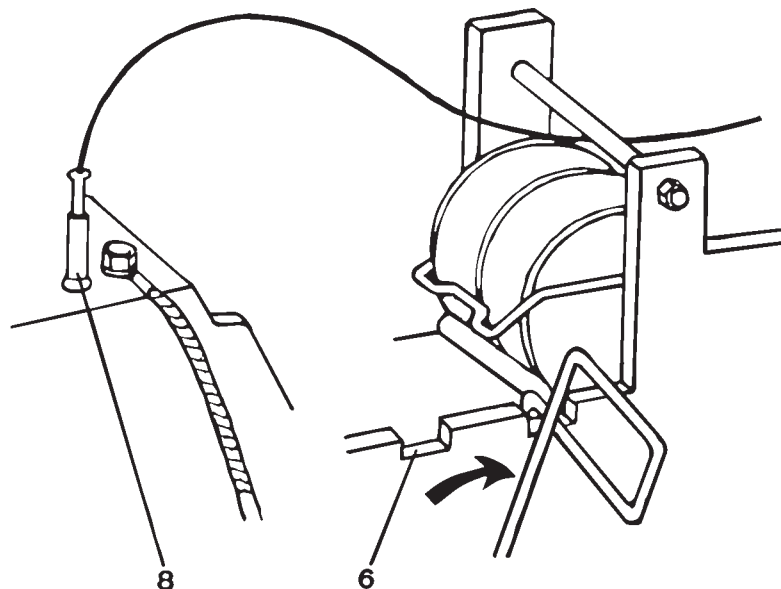
Maintaining the Model 88 continues

4 Before inserting the stapler head, center the movable carrier over the area that will receive the stapler head.

5 Place the stapler head back into the Model 88. The rear tab of the stapler assembly must be placed under the nylon tension spring and the driver post arm placed into the carrier.



6 Press on the lower front edge of the stapler head to align the hole in the stapler bracket with the hole in the stapler head. Insert the lock spring so that it engages the stapler head and the metal sides of the stapler assembly.



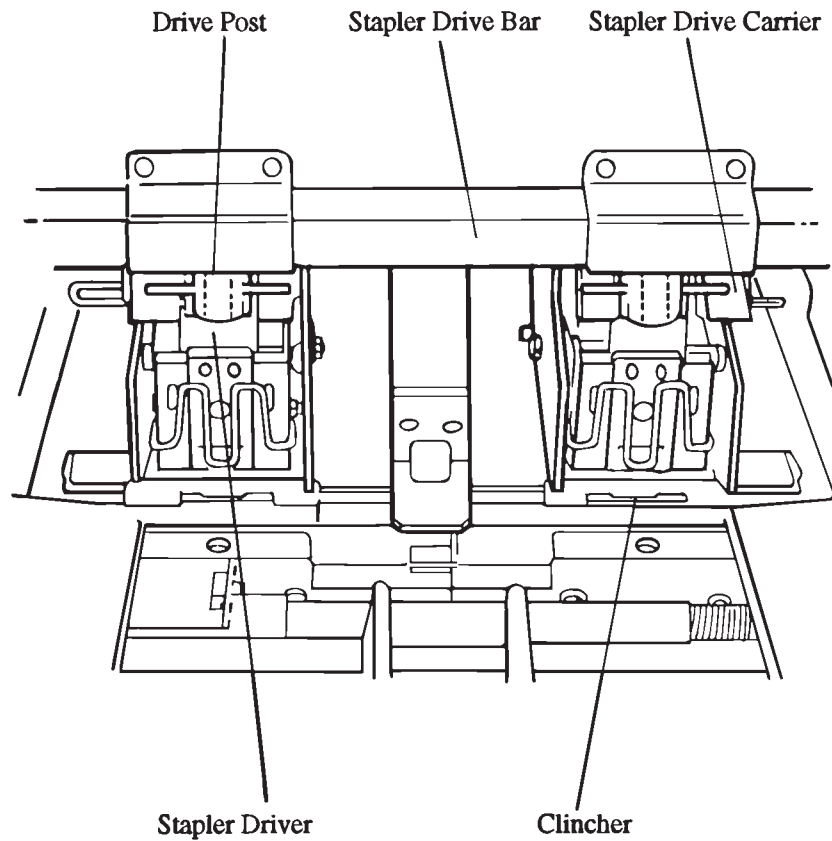
7 Rotate the lock spring towards the infeed side.

8 Insert the red wire into its outlet.

Maintaining the Model 88 continues

Lubrication of parts

The parts that need lubrication are shown in the table below.



PART	FREQUENCY	PART LOCATION
Clinchers	Every 20K booklets	Beneath the stapler head assembly (Thin oil)
Drive posts	Every 20K booklets	Staple cartridge (Grease)
Stapler drive bar	Every 20K booklet	Above the stapler head (Grease)
Stapler drive carrier	Every 20K booklet	Above the stapler head (Grease)
Staple driver	Every 20K booklet	Staple driver (Thin oil)

5. Specifications

Stapler Folder Model 88

Paper weight minimum	60gsm
Paper weight maximum	200gsm
Maximum paper size width	303mm
Maximum paper size length	446mm
Minimum paper size width	210mm
Minimum paper size length	279mm
Stapling/Folding capacity	20 sheets of 80gsm (80 pages)
Speed A3 (11"x17")	2300 sets/h
Speed A4 (8,5"x11")	2800 sets/h
Stapling	Saddle stapling
Staples	2 x 5000 Chisel pointed
Operating	Preset standar paper sizes and "press button" adjustments to fine tune paper sizes and/or setting of customer chosen sizes
Preset programmes	A3 paper size A4 paper size Two unmarked sizes for customer choise (11"x17") (8,5"x14") (8,5"x11") (One unmarked paper size for customers choise)
Output tray	Conveyor belt stacker
Width	1500mm
Hight	680mm
Depth	590mm
Weight	130kg
Voltage	220V/230V/240V 50Hz 115V 60Hz

The machine design and specifications are subject to change without notice.

